

FULGOR
MILANO

12

SINCE
PASSIONE | ITALIANA
1949

ED 12

FULGOR
MILANO



Barbeques

FULGOR
MILANO

SINCE 1949

PASSIONE ITALIANA

FULGOR MILANO is the emblem of Italian craftsmanship. Its brand has a history spanning more than 70 years, deeply rooted in Italy's manufacturing tradition and creativity, producing unique and innovative ideas. FULGOR MILANO is synonymous with design, modernity, beauty, and functionality. The company continuously improves its flagship to meet the demands of a modern consumer who wants to use smart, high-performing appliances.

Finding ways to streamline time management is essential in today's dynamic, environmentally conscious society.

Fulgor Milano meets everyday living needs and makes new cooking and food preservation opportunities accessible, maintaining nutritional and sensory properties.

The kitchen has always been the queen of the house, a place of conviviality to share happy moments with your dear ones. Families gather in this pleasant and colourful setting every evening to share the day's happenings while unleashing their creativity to invent new dishes.

Fulgor Milano is ideal for those who love mixing and matching different flavours and ingredients to make complex recipes. By choosing FULGOR MILANO, you choose top-quality, high-tech home appliances meeting the highest demands.

Gianni Anselmetti

General Manager

FULGOR
MILANO

BBQ

BBQ



FULGOR
MILANO

BBQ

COOKING OUTDOORS

Thanks to the FULGOR BBQ range, you can grill, cook, and roast meat, fish, and vegetables in your garden, by the poolside or on the terrace. FULGOR barbecues ensure versatility and high performance.

MAINTENANCE AND CLEANING

Cleaning the barbecue has never been easier, thanks to the stainless steel finish and cooking surfaces. Stainless steel is a highly hygienic and durable material. Moreover, it does not alter food flavours. Every component is interlocked in the structure to facilitate their removal. Therefore, the grill racks and griddle can be easily removed and washed.

TEPPANYAKI

The stainless steel griddle is suitable for Teppanyaki, a Japanese cooking style considered one of the most healthy methods because it maintains nutritional and organoleptic properties. The griddle and grill racks can be positioned depending on the cooking needs. However, users must remember to reposition the gas burner baffles provided for the grill racks.

GRILLING

The oversized stainless steel grill racks supplied with the barbecue are perfect for cooking generous portions of meat or fish. They are also available in cast iron (to be purchased separately).

LIDS

FULGOR BBQ can be completed with a lid (accessory) available in two versions (high or low), depending on your preference.

The high lid has two walls and a thermometer to control the cavity's temperature when the BBQ is closed. The low lid is designed to protect the BBQ's surface from harsh weather conditions. Both these lids are fitted with a Professional handle.

SAFETY

No electric connection, just a battery to start the burners, which are equipped with a detection and supply blocking valve.

METAL KNOBS

FULGOR Professional metal knobs are large to ensure an ergonomic grip.

BBQ

MATTE BLACK FINISH

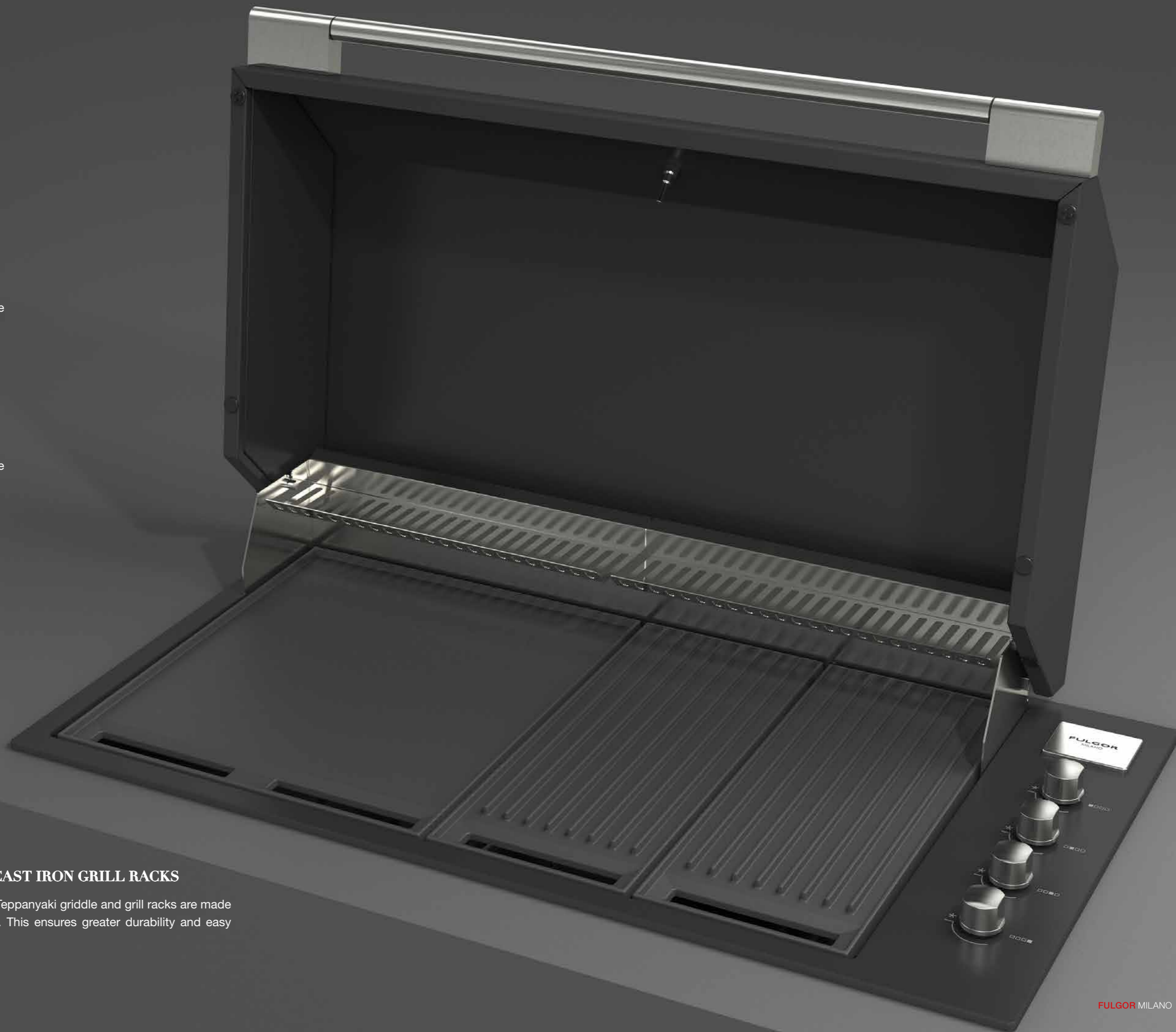
The matte black finish provides a unique style to the barbecue and lids.

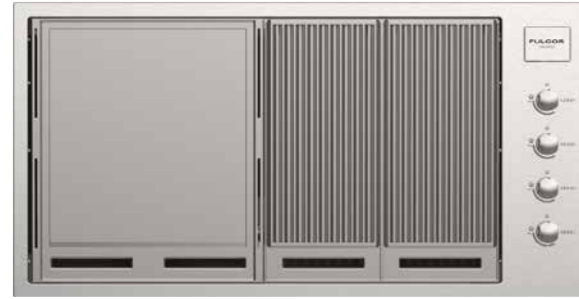
ERGONOMIC CONTROLS

The steel handle and knobs are particularly resistant and easy to use.

TEPPANYAKI GRIDDLE AND CAST IRON GRILL RACKS

In the elegant matte black version, the Teppanyaki griddle and grill racks are made of highly resistant enamelled cast iron. This ensures greater durability and easy cleaning.



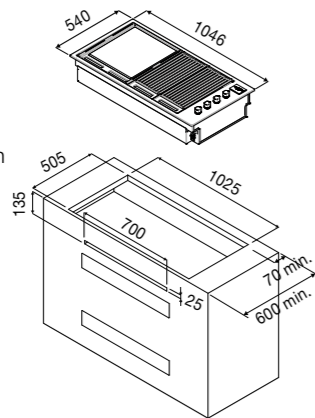


Barbecue 1000

FOBQ 1000 G X



- AISI 316 stainless steel
- NG or LPG supply
- 4 in-line tubular gas burners
- Metal knobs
- Battery-operated electronic ignition
- Stainless steel Teppanyaki griddle
- 2 stainless steel grill racks
- Removable drip tray



Features

The Fulgor Milano built-in barbecue in AISI 316 stainless steel has 4 tubular gas burners, with a total power of approximately 15,2 kW. Special gas conversion nozzles are supplied as standard to allow the use with both NG and LPG. The in-line arrangement of the burners allows you to separate the cooking zones and also allowing the use of different temperatures. The BBQ is equipped with Gas-Stop safety devices. Among the accessories on request, in addition to the different types of grates, two different lid models are available (high and low).

Accessories on request page 272
 Technical data page 290



STAINLESS STEEL
 FOBQ 1000 G X
 EAN 8019801021857

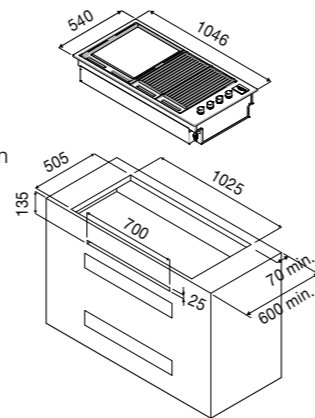


Barbecue 1000

FOBQ 1000 G MBK



- Matte black enameled steel
- NG or LPG supply
- 4 in-line tubular gas burners
- Metal knobs
- Battery-operated electronic ignition
- Cast-iron Teppanyaki griddle
- 2 cast-iron grill racks
- Removable drip tray



Features

The Fulgor Milano built-in barbecue with matt black enameled steel finish is equipped as standard with sturdy cast iron grates and has 4 tubular gas burners, with a total power of approximately 15,2 kW. Special gas conversion nozzles are supplied as standard to allow the use with both NG and LPG. The in-line arrangement of the burners allows you to separate the cooking zones and also allowing the use of different temperatures. The BBQ is equipped with Gas-Stop safety devices. Among the accessories on request, in addition to the different types of grates, two different lid models are available (high and low).

Accessories on request page 272
 Technical data page 291



MATTE BLACK
 FOBQ 1000 G MBK
 EAN 8019801021888

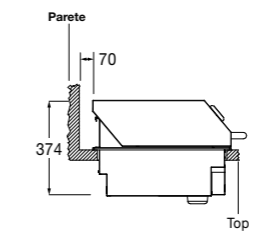
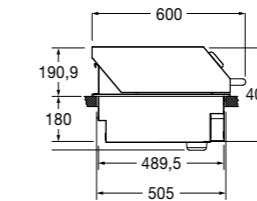
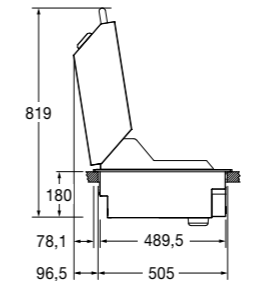


High lid 1000

FOBQ HL 1000 X



- AISI 316 stainless steel finish
- External thermometer
- Inner temperature control
- Steel tubular knob



NOTE: In the image, other than seeing the lid also the BBQ is shown (sold separately)

Accessories on request page 290
 Technical data page 291



STAINLESS STEEL
 FOBQ HL 1000 X
 EAN 8019801021864



MATTE BLACK
 FOBQ HL 1000 MBK
 EAN 8019801021895

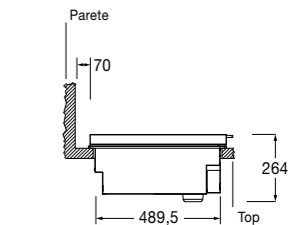
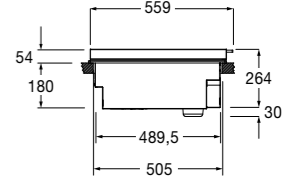
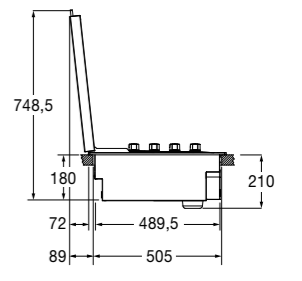


Low lid 1000

FOBQ LL 1000 X



- AISI 316 stainless steel finish
- Steel flat knob



NOTE: In the image, other than seeing the lid also the BBQ is shown (sold separately)

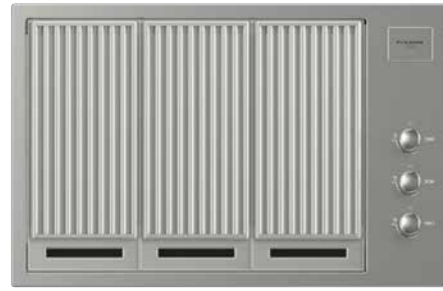
Accessories on request page 290
 Technical data page 291



STAINLESS STEEL
 FOBQ LL 1000 X
 EAN 8019801021871

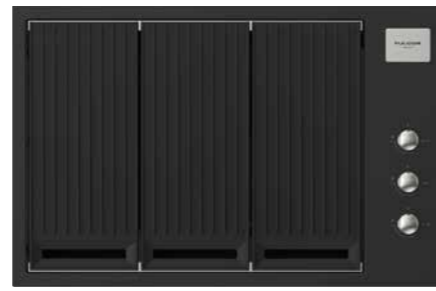


MATTE BLACK
 FOBQ LL 1000 MBK
 EAN 8019801021901



Barbecue 800

FOBQ 803 G X

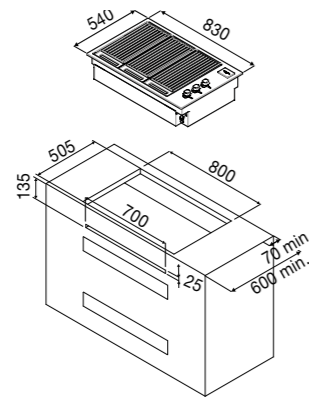


Barbecue 800

FOBQ 803 G MBK



- AISI 316 stainless steel
- NG or LPG supply
- 3 in-line tubular gas burners
- Metal knobs
- Battery-operated electronic ignition
- 3 stainless steel grill racks
- Removable drip tray



Features

The Fulgor Milano built-in barbecue in AISI 316 stainless steel has 3 tubular gas burners, with a total power of approximately 11,4 kW. Special gas conversion nozzles are supplied as standard to allow the use with both NG and LPG. The in-line arrangement of the burners allows you to separate the cooking zones and also allowing the use of different temperatures. The BBQ is equipped with Gas-Stop safety devices. Among the accessories on request, in addition to a TeppanYaki griddle and the different types of grates, two different lid models are available (high and low).

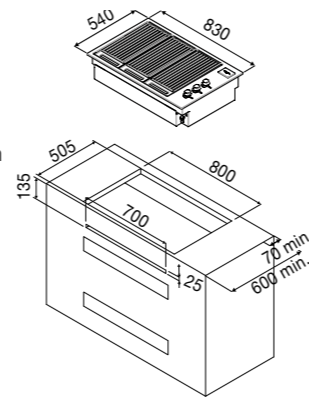
Accessories on request page 272
 Technical data page 292



STAINLESS STEEL
 FOBQ 803 G X
 EAN 8019801027392



- Black matte enamelled steel
- NG or LPG supply
- 3 in-line tubular gas burners
- Metal knobs
- Battery-operated electronic ignition
- 3 cast-iron grill racks
- Removable drip tray



Features

The Fulgor Milano built-in barbecue with matt black enameled steel finish is equipped as standard with sturdy cast iron grates and has 3 tubular gas burners, with a total power of approximately 11,4 kW. Special gas conversion nozzles are supplied as standard to allow the use with both NG and LPG. The in-line arrangement of the burners allows you to separate the cooking zones and also allowing the use of different temperatures. The BBQ is equipped with Gas-Stop safety devices. Among the accessories on request, in addition to a TeppanYaki griddle and the different types of grates, two different lid models are available (high and low).

Accessories on request page 272
 Technical data page 293



MATTE BLACK
 FOBQ 803 G MBK
 EAN 8019801031344



High lid 800

FOBQ HL 800 X

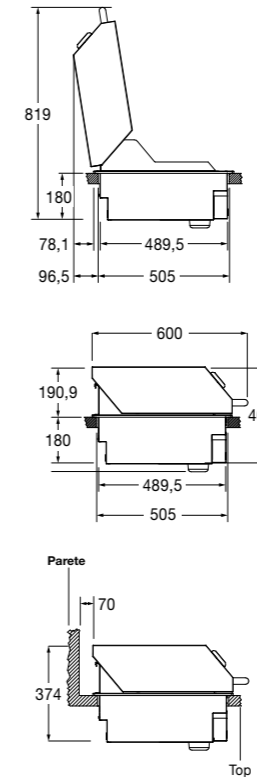


Low lid 800

FOBQ LL 800 X



- AISI 316 stainless steel finish
- External thermometer
- Inner temperature control
- Steel tubular knob



NOTE: In the image, other than seeing the lid also the BBQ is shown (sold separately)

Accessories on request page 292
 Technical data page 293

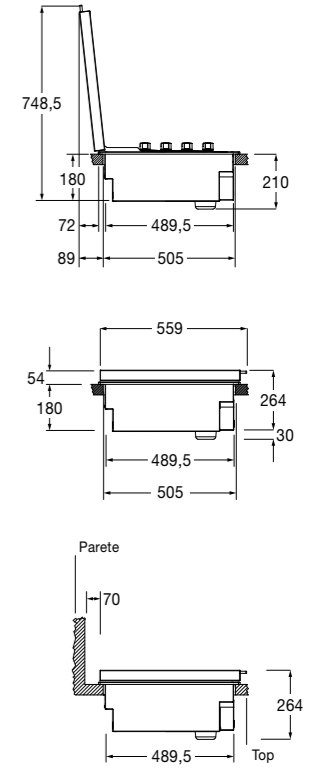


STAINLESS STEEL
 FOBQ HL 800 X
 EAN 8019801027453



MATTE BLACK
 FOBQ HL 800 MBK
 EAN 8019801031269

- AISI 316 stainless steel finish
- Steel flat knob



NOTE: In the image, other than seeing the lid also the BBQ is shown (sold separately)

Accessories on request page 292
 Technical data page 293



STAINLESS STEEL
 FOBQ LL 800 X
 EAN 8019801027446



MATTE BLACK
 FOBQ LL 800 MBK
 EAN 8019801031962

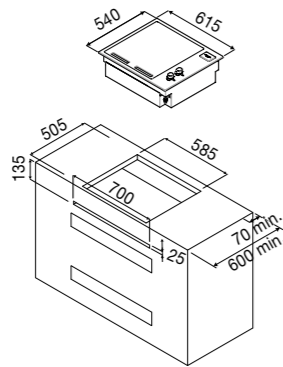


Barbecue 600

FOBQ 601 TY G X



- NG or LPG supply
- AISI 316 stainless steel finish
- 2 in-line tubular gas burners
- Metal knobs
- Battery-operated electronic ignition
- Stainless steel Teppanyaki griddle
- Removable drip tray



Features

The Fulgor Milano built-in barbecue in AISI 316 stainless steel comes with Teppanyaki plate and has 2 tubular gas burners, with a total power of approximately 7,6 kW. Special gas conversion nozzles are supplied as standard to allow the use with both NG and LPG. The in-line arrangement of the burners allows you to separate the cooking zones and also allowing the use of different temperatures. The BBQ is equipped with Gas-Stop safety devices. Among the accessories on request, in addition to different types of grates, two different lid models are available (high and low).

Accessories on request page 272
 Technical data page 292



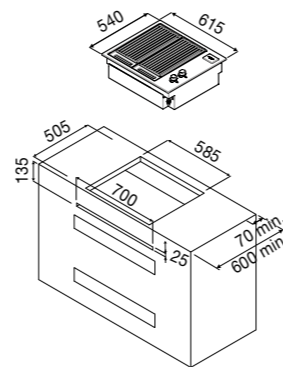
STAINLESS STEEL
 FOBQ 601 TY G X
 EAN 8019801027415

Barbecue 600

FOBQ 602 G X



- NG or LPG supply
- AISI 316 stainless steel finish
- 2 in-line tubular gas burners
- Metal knobs
- Battery-operated electronic ignition
- 2 stainless steel grates
- Removable drip tray



Features

The Fulgor Milano built-in barbecue in AISI 316 stainless steel comes with two stainless steel grates and has 2 tubular gas burners, with a total power of approximately 7,6 kW. Special gas conversion nozzles are supplied as standard to allow the use with both NG and LPG. The in-line arrangement of the burners allows you to separate the cooking zones and also allowing the use of different temperatures. The BBQ is equipped with Gas-Stop safety devices. Among the accessories on request, in addition to Teppanyaki and different types of grates, two different lid models are available (high and low).

Accessories on request page 272
 Technical data page 292



STAINLESS STEEL
 FOBQ 602 G X
 EAN 8019801027408

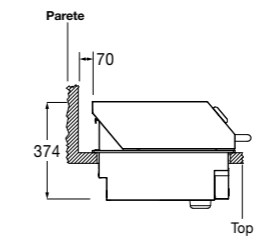
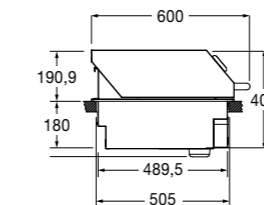
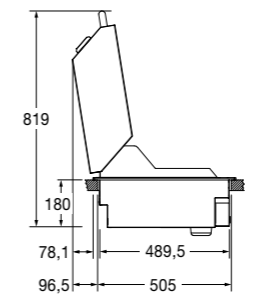


High lid 600

FOBQ HL 600 X



- AISI 316 stainless steel finish
- External thermometer
- Inner temperature control
- Steel tubular knob



NOTE: In the image, other than seeing the lid also the BBQ is shown (sold separately)

Technical data page 292



STAINLESS STEEL
 FOBQ HL 600 X
 EAN 8019801027439

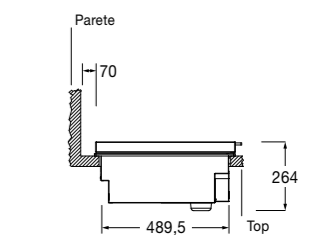
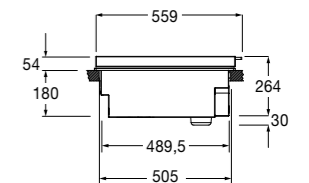
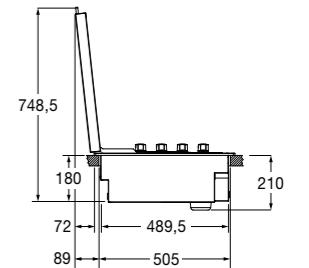


Low lid 600

FOBQ LL 600 X



- AISI 316 stainless steel finish
- Steel flat knob



NOTE: In the image, other than seeing the lid also the BBQ is shown (sold separately)

Technical data page 292



STAINLESS STEEL
 FOBQ LL 600 X
 EAN 8019801027422

FULGOR
MILANO

Voor meer informatie:

Kitchens & Kitchen-appliances

mail naar: info@kitchens-kitchenappliances.nl

of bel Peter Schutte: (+31) 6 155 999 29