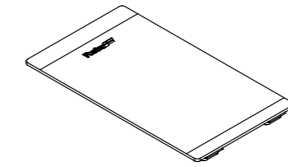


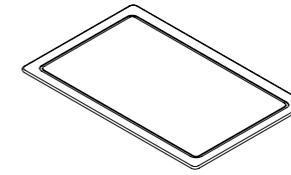
Foster 

AESTHETICA
TECHNICAL BOOK

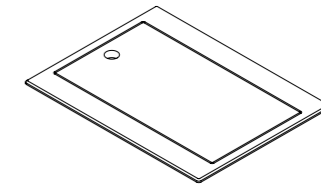
SINKS	02	SKIN
	28	SMOKEY
	38	HAPPYHOUR
	46	OUTLINE
MIXER TAPS AND COMPLEMENTS	56	VELA
	58	VOLTA
	60	OP
	62	COMPLEMENTS
COOKTOPS	70	CASTONE
	76	ARYA
	82	INFINITO
	86	OUTLINE



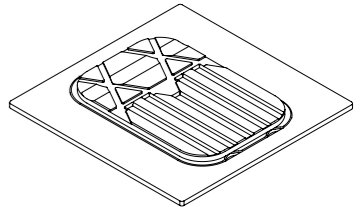
8631 300
glass chopping board
23,4 x 41,4 cm



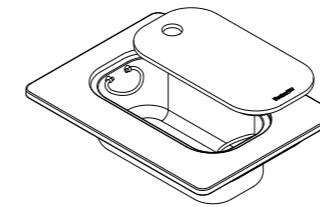
8657 002
grey HDPE chopping board
27,2 x 42 cm



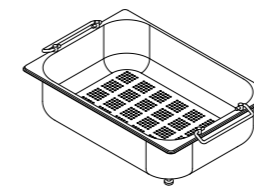
8644 101
white HDPE twin chopping board
31,7 x 41,8 cm



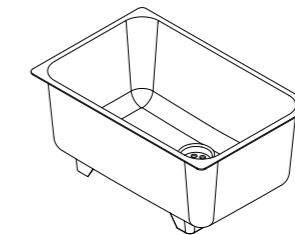
8644 004
twin Iroko chopping board
41,2 x 41,6 cm



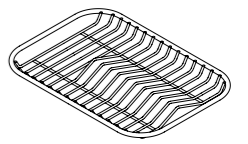
8644 044
Iroko chopping board with
st. steel colander kit
31,7 x 42 cm



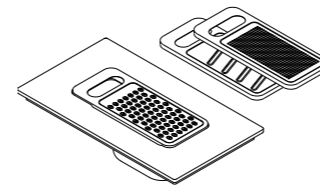
8154 000 - with 8644 004
stainless steel colander
25 x 36 cm



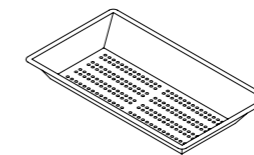
8153 100
white bowl
41,4 x 27,2 cm



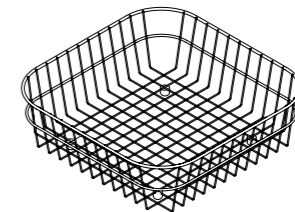
8100 154 - only with 8644 004
stainless steel dishes holder
23 x 35 cm



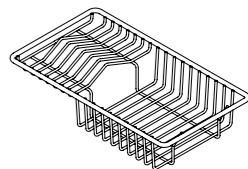
8159 101 - only with 8644
101
grating kit
21,5 x 38 cm



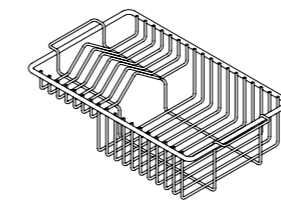
8151 000 - only with 8644 101
stainless steel perforated pan
21,5 x 38 cm



8611 000
stainless steel basket
34 x 40 cm



8100 303 - only with 8644 101
stainless steel dishes holder
21,4 x 37,9 cm



8100 201
stainless steel dishes holder
with handles
25 x 42,5 cm

sink SKIN 800
 Dimensions 840 x 440 mm
 Single bowl 800 x 400 mm
 Bowl depth 200 mm
 Integrated waste-fitting 3,5" and
 overflow with double cap
 Installation FT | FTS
 CABINET 90



4458 040
 AISI 304 satin



4458 046
 AISI 304 satin PVD Gun Metal

sink SKIN DOUBLE
 Dimensions 750 x 440 mm
 Single bowl 340 x 400 mm
 Bowl depth 200 mm
 Integrated waste-fitting 3,5" and
 overflow with double cap
 Installation FT | FTS
 *CABINET 80



4455 040
 AISI 304 satin



4455 046
 AISI 304 satin PVD Gun Metal

sink SKIN 710
 Dimensions 750 x 440 mm
 Single bowl 710 x 400 mm
 Bowl depth 200 mm
 Integrated waste-fitting 3,5" and
 overflow with double cap
 Installation FT | FTS
 *CABINET 80



4457 040
 AISI 304 satin

sink SKIN 530
 Dimensions 570 x 440 mm
 Single bowl 530 x 400 mm
 Bowl depth 200 mm
 Integrated waste-fitting 3,5" and
 overflow with double cap
 Installation FT | FTS
 *CABINET 60



4453 040
 AISI 304 satin



4453 046
 AISI 304 satin PVD Gun Metal

sink SKIN 400
 Dimensions 440 x 440 mm
 Single bowl 400 x 400 mm
 Bowl depth 200 mm
 Integrated waste-fitting 3,5" and
 overflow with double cap
 Installation FT | FTS
 *CABINET 45



4456 040
 AISI 304 satin

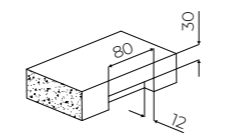
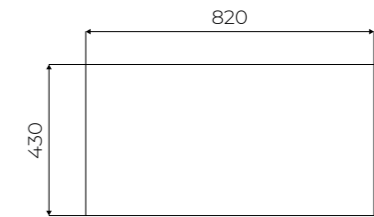
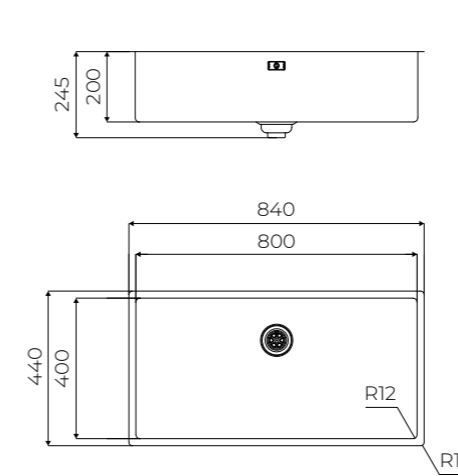


4456 046
 AISI 304 satin Gun Metal



material	stainless steel AISI 304
finish	Foster Brushed
texture	satin
dimensions	840 x 440 mm
bowl	800 x 400 mm
cabinet	90 cm
waste-fitting	integrated 3,5" double cap Standard Space
overflow	integrated

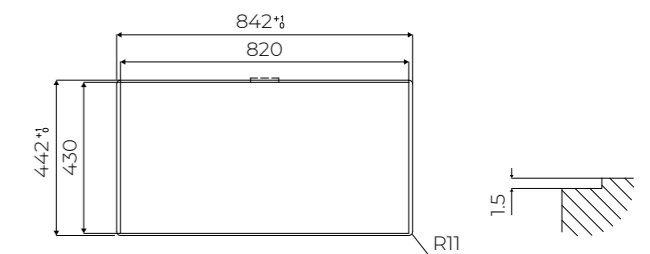
TECHNICAL DRAWINGS



cut-out for overflow
only with top > 30 mm

FTS | cut-out for Flush resting on top

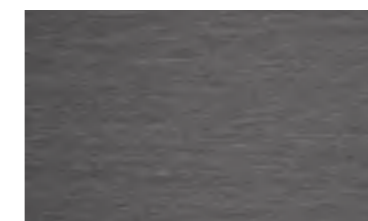
FT | cut-out for Flush-mount



FINISHES



4458 040 - satin

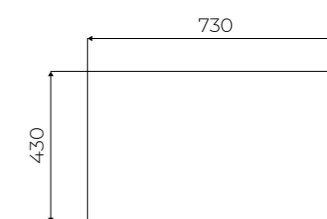
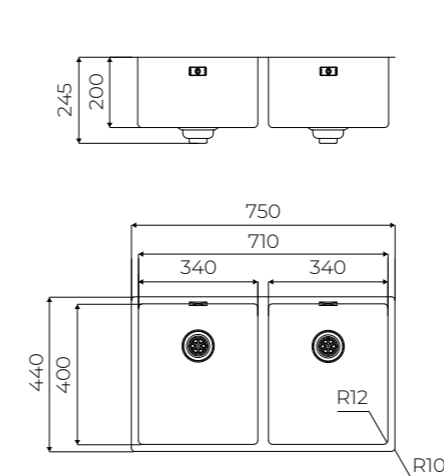


4458 046 - PVD Gun Metal satin



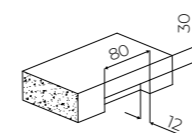
material	stainless steel AISI 304
finish	Foster Brushed
texture	satin
dimensions	750 x 440 mm
bowls	340 x 400 mm
cabinet	80 cm - base fixing 90 cm
waste-fittings	integrated 3,5" double cap Standard Space
overflows	integrated

TECHNICAL DRAWINGS

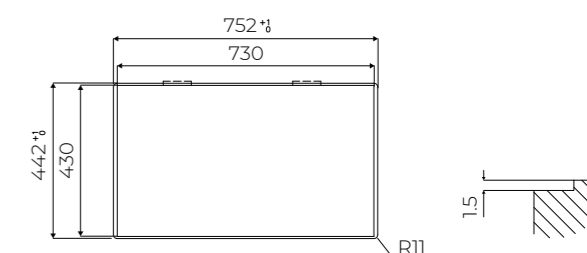


FTS | cut-out for Flush resting on top

FT | cut-out for Flush-mount



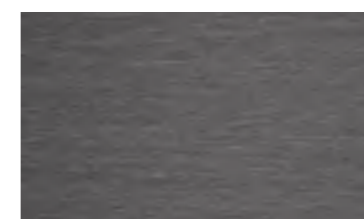
cut-outs for the two overflows
only with top > 30 mm



FINISHES



4455 040 - satin

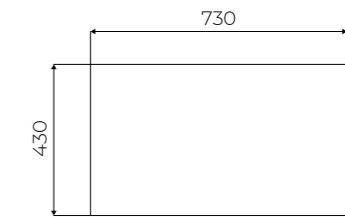
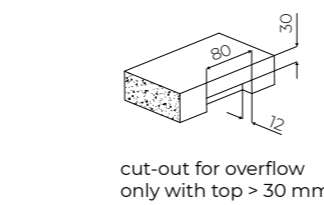
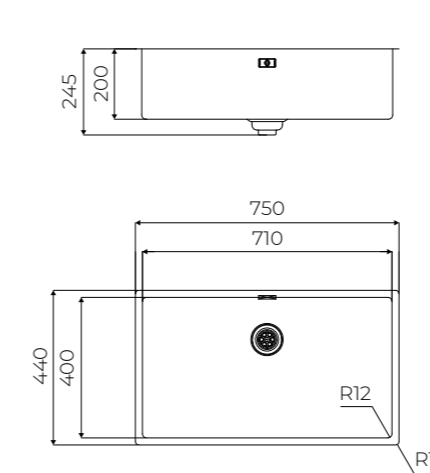


4455 046 - PVD Gun Metal satin



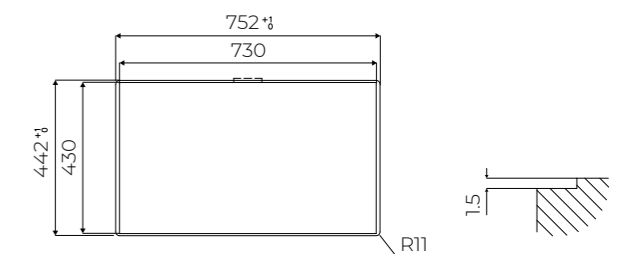
material	stainless steel AISI 304
finish	Foster Brushed
texture	satin
dimensions	750 x 440 mm
bowl	710 x 400 mm
cabinet	80 cm - base fixing 90 cm
waste-fitting	integrated 3,5" double cap Standard Space
overflow	integrated

TECHNICAL DRAWINGS



FTS | cut-out for Flush resting on top

FT | cut-out for Flush-mount



FINISHES

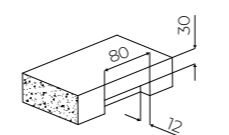
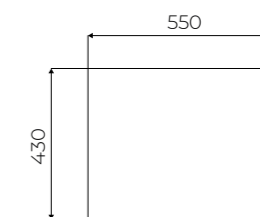
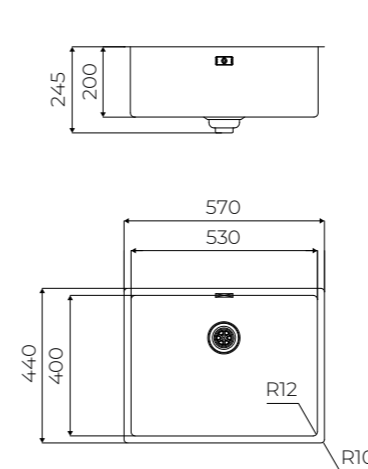


4457 040 - satin



material	stainless steel AISI 304
finish	Foster Brushed
texture	satin
dimensions	570 x 440 mm
bowl	530 x 400 mm
cabinet	60 cm - base fixing 80 cm
waste-fitting	integrated 3,5" double cap Standard Space
overflow	integrated

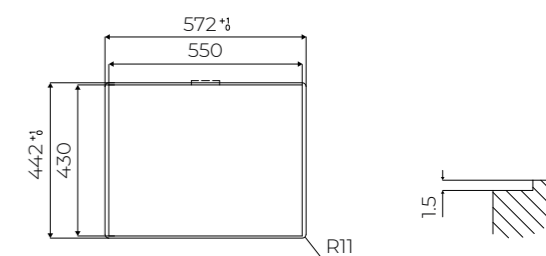
TECHNICAL DRAWINGS



cut-out for overflow
only with top > 30 mm

FTS | cut-out for Flush resting on top

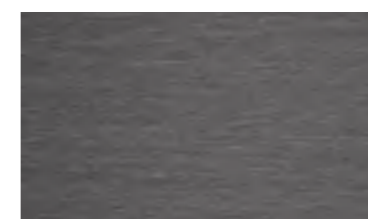
FT | cut-out for Flush-mount



FINISHES



4453 040 - satin

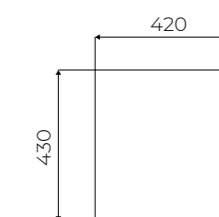
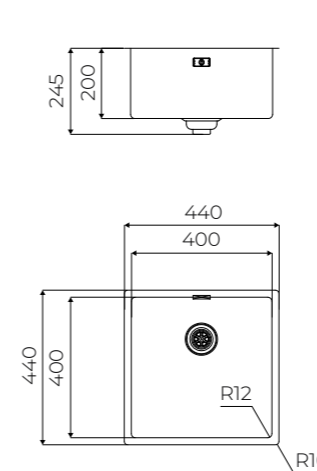


4453 046 - PVD Gun Metal satin



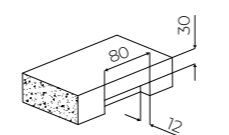
material	stainless steel AISI 304
finish	Foster Brushed
texture	satin
dimensions	440 x 440 mm
bowl	400 x 400 mm
cabinet	45 cm - base fixing 60 cm
waste-fitting	integrated 3,5" double cap Standard Space
overflow	integrated

TECHNICAL DRAWINGS

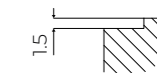
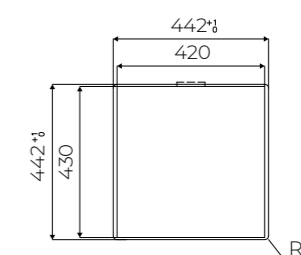


FTS | cut-out for Flush resting on top

FT | cut-out for Flush-mount



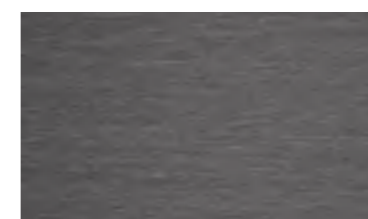
cut-out for overflow
only with top > 30 mm



FINISHES



4456 040 - satin



4456 046 - PVD Gun Metal satin

sink SKIN 800
 Dimensions 840 x 440 mm
 Single bowl 800 x 400 mm
 Bowl depth 200 mm
 Integrated waste-fitting 3,5" and
 overflow with double cap
 Installation ST
 *CABINET 90



4458 840
 AISI 304 satin



4458 846
 AISI 304 satin PVD Gun Metal



4458 848
 AISI 304 satin PVD Copper



4458 849
 AISI 304 satin PVD Gold

sink SKIN DOUBLE
 Dimensions 750 x 440 mm
 Single bowl 340 x 400 mm
 Bowl depth 200 mm
 Integrated waste-fitting 3,5" and
 overflow with double cap
 Installation ST
 *CABINET 80



4455 840
 AISI 304 satin



4455 846
 AISI 304 satin PVD Gun Metal

sink SKIN 710
 Dimensions 750 x 440 mm
 Single bowl 710 x 400 mm
 Bowl depth 200 mm
 Integrated waste-fitting 3,5" and
 overflow with double cap
 Installation ST
 *CABINET 80



4457 840
 AISI 304 satin

sink SKIN 530
 Dimensions 570 x 440 mm
 Single bowl 530 x 400 mm
 Bowl depth 200 mm
 Integrated waste-fitting 3,5" and
 overflow with double cap
 Installation ST
 *CABINET 60



4453 840
 AISI 304 satin



4453 846
 AISI 304 satin PVD Gun Metal



4453 848
 AISI 304 satin PVD Copper



4453 849
 AISI 304 satin PVD Gold

sink SKIN 400
 Dimensions 440 x 440 mm
 Single bowl 400 x 400 mm
 Bowl depth 200 mm
 Integrated waste-fitting 3,5" and
 overflow with double cap
 Installation ST
 *CABINET 45



4456 840
 AISI 304 satin

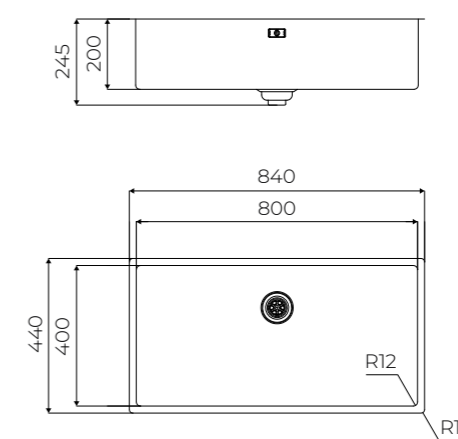


4456 846
 AISI 304 satin PVD Gun Metal

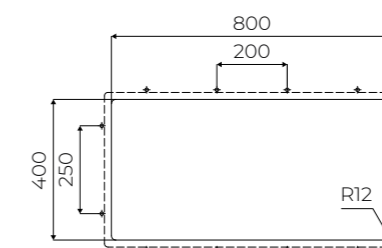


material	stainless steel AISI 304
finish	Foster Brushed
texture	satin
dimensions	840 x 440 mm
bowl	800 x 400 mm
cabinet	90 cm
waste-fitting	integrated 3,5" double cap Standard Space
overflow	integrated

TECHNICAL DRAWINGS



ST | cut-out for Undermount

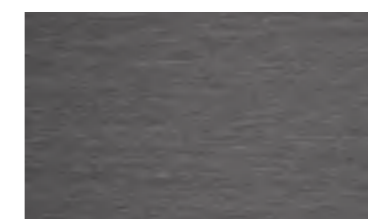


recommended holes position for fixing nuts

FINISHES



4458 840 - satin



4458 846 - PVD Gun Metal satin



4458 848 - PVD Copper satin

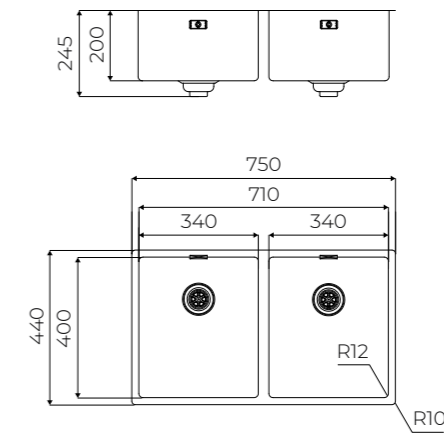


4458 849 - PVD Gold satin

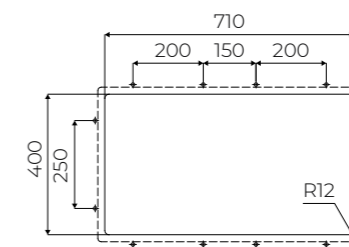


material	stainless steel AISI 304
finish	Foster Brushed
texture	satin
dimensions	750 x 440 mm
bowl	340 x 400 mm
cabinet	80 cm - base fixing 90 cm
waste-fittings	integrated 3,5" double cap Standard Space
overflows	integrated

TECHNICAL DRAWINGS



ST | cut-out for Undermount

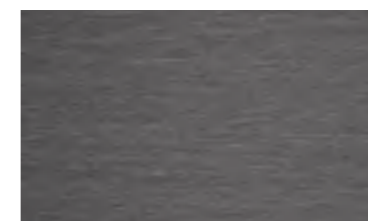


recommended holes position for fixing nuts

FINISHES



4455 840 - satin

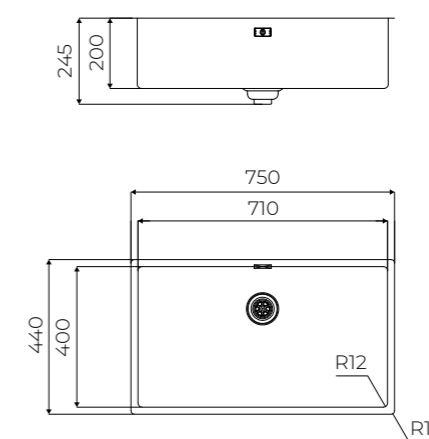


4455 846 - PVD Gun Metal satin

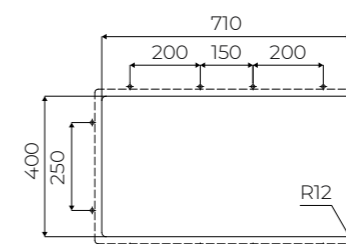


material	stainless steel AISI 304
finish	Foster Brushed
texture	satin
dimensions	750 x 440 mm
bowls	710 x 400 mm
cabinet	80 cm - base fixing 90 cm
waste-fitting	integrated 3,5" double cap Standard Space
overflow	integrated

TECHNICAL DRAWINGS



ST | cut-out for Undermount



recommended holes position for fixing nuts

FINISHES

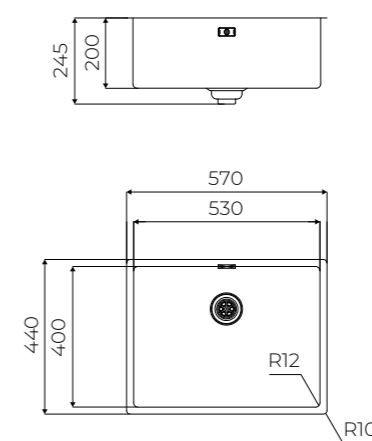


4457 840 - satin

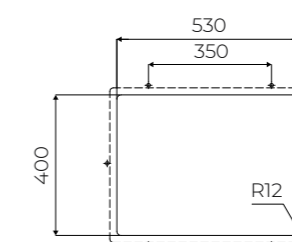


material	stainless steel AISI 304
finish	Foster Brushed
texture	satin
dimensions	570 x 440 mm
bowl	530 x 400 mm
cabinet	60 cm - base fixing 80 cm
waste-fitting	integrated 3,5" double cap Standard Space
overflow	integrated

TECHNICAL DRAWINGS



ST | cut-out for Undermount

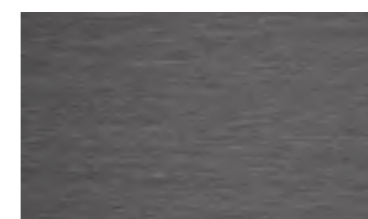


recommended holes position for fixing nuts

FINISHES



4453 840 - satin



4453 846 - PVD Gun Metal satin



4453 848 - PVD Copper satin

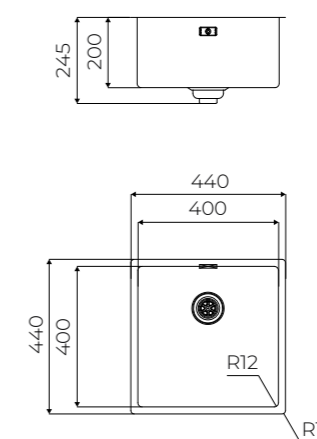


4453 849 - PVD Gold satin

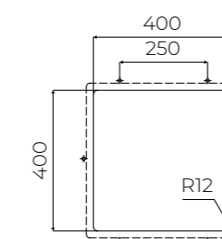


material	stainless steel AISI 304
finish	Foster Brushed
texture	satin
dimensions	440 x 440 mm
bowl	400 x 400 mm
cabinet	45 cm - base fixing 60 cm
waste-fitting	integrated 3,5" double cap Standard Space
overflow	integrated

TECHNICAL DRAWINGS



ST | cut-out for Undermount

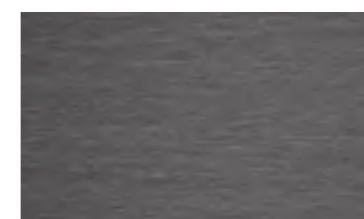


recommended holes position for fixing nuts

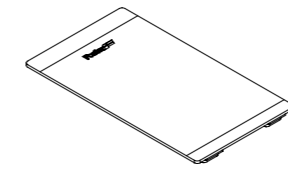
FINISHES



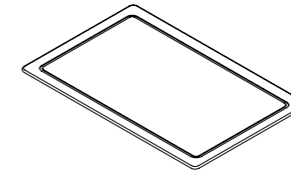
4456 840 - satin



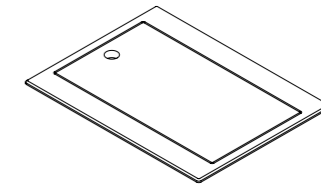
4456 846 - PVD Gun Metal satin



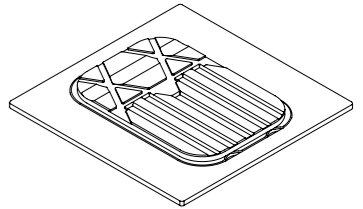
8631 300
glass chopping board
23,4 x 41,4 cm



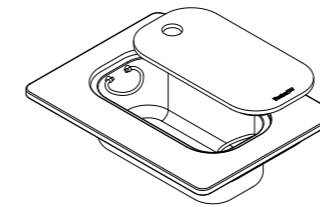
8657 002
grey HDPE chopping board
27,2 x 42 cm



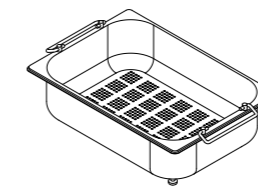
8644 101
white HDPE twin chopping board
31,7 x 41,8 cm



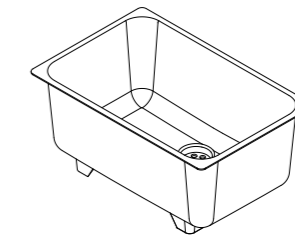
8644 004
twin Iroko chopping board
41,2 x 41,6 cm



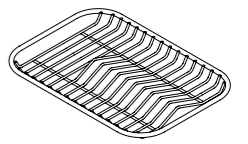
8644 044
Iroko chopping board with
st. steel colander kit
31,7 x 42 cm



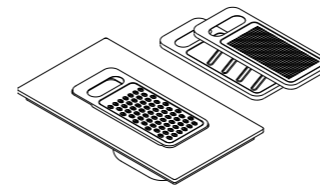
8154 000 - with 8644 004
stainless steel colander
25 x 36 cm



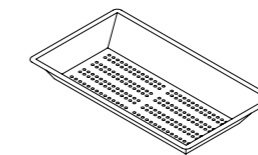
8153 100
white bowl
41,4 x 27,2 cm



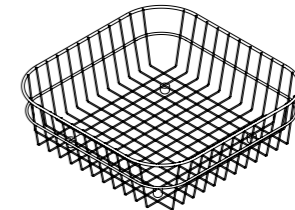
8100 154 - only with 8644 004
stainless steel dishes holder
23 x 35 cm



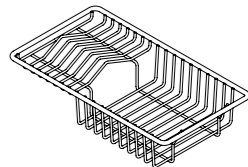
8159 101 - only with 8644 101
grating kit
21,5 x 38 cm



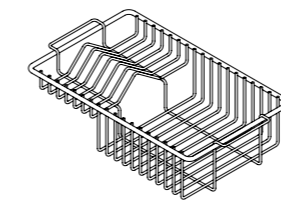
8151 000 - only with 8644 101
stainless steel perforated pan
21,5 x 38 cm



8611 000
stainless steel basket
34 x 40 cm



8100 303 - only with 8644 101
stainless steel dishes holder
21,4 x 37,9 cm



8100 201
stainless steel dishes holder
with handles
25 x 42,5 cm

sink SMOKEY 710
 Dimensions 750 x 440 mm
 Single bowl 710 x 400 mm
 Bowl depth 195 mm
 Waste-fitting 3,5" standard cap
 Installation ST
 *CABINET 80



1157 856
 AISI 304 fumé PVD Gun Metal



1157 858
 AISI 304 fumé PVD Copper



1157 859
 AISI 304 fumé PVD Gold

sink SMOKEY 500
 Dimensions 540 x 440 mm
 Single bowl 500 x 400 mm
 Bowl depth 195 mm
 Waste-fitting 3,5" standard cap
 Installation ST
 *CABINET 60



1155 856
 AISI 304 fumé PVD Gun Metal



1155 858
 AISI 304 fumé PVD Copper



1155 859
 AISI 304 fumé PVD Gold

sink SMOKEY 400
 Dimensions 440 x 440 mm
 Single bowl 400 x 400 mm
 Bowl depth 195 mm
 Waste-fitting 3,5" standard cap
 Installation ST
 *CABINET 45



1156 856
 AISI 304 fumé PVD Gun Metal



1156 858
 AISI 304 fumé PVD Copper



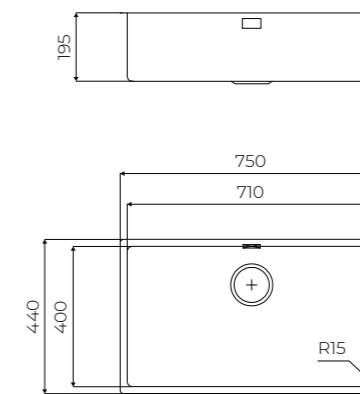
1156 859
 AISI 304 fumé PVD Gold

*fixing in larger cabinet 80-90 | 60-80 | 45-60

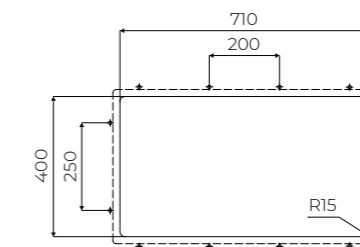


material	stainless steel AISI 304
finish	fumé
dimensions	750 x 440 mm
bowl	710 x 400 mm
cabinet	80 cm - base fixing 90 cm
waste-fitting	3,5" with Standard cap

TECHNICAL DRAWINGS



ST | cut-out for Undermount



recommended holes position for fixing nuts

FINISHES



1157 856 - PVD Gun Metal fumé



1157 858 - PVD Copper fumé

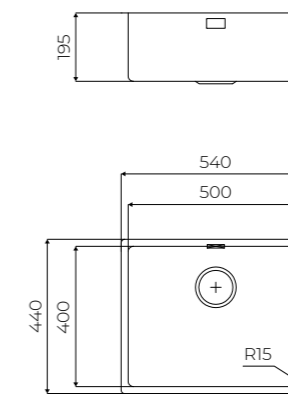


1157 859 - PVD Gold fumé

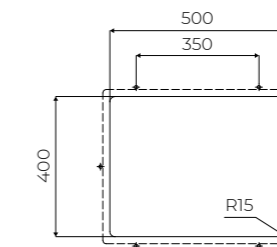


material	stainless steel AISI 304
finish	fumé
dimensions	540 x 440 mm
bowl	500 x 400 mm
cabinet	60 cm - base fixing 80 cm
waste-fitting	3,5" with Standard cap

TECHNICAL DRAWINGS



ST | cut-out for Undermount



recommended holes position for fixing nuts

FINISHES



1155 856 - PVD Gun Metal fumé



1155 858 - PVD Copper fumé

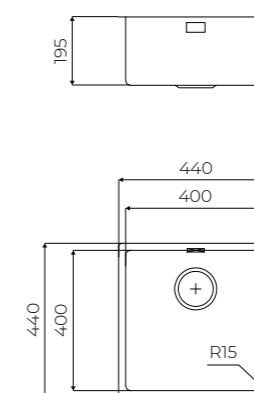


1155 859 - PVD Gold fumé

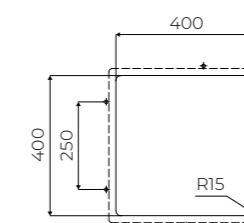


material	stainless steel AISI 304
finish	fumé
dimensions	400 x 440 mm
bowl	400 x 400 mm
cabinet	45 cm - base fixing 60 cm
waste-fitting	3,5" with Standard cap

TECHNICAL DRAWINGS



ST | cut-out for Undermount



rear fixing hole off-centre
in relation to the overflow

recommended holes position for fixing nuts

FINISHES



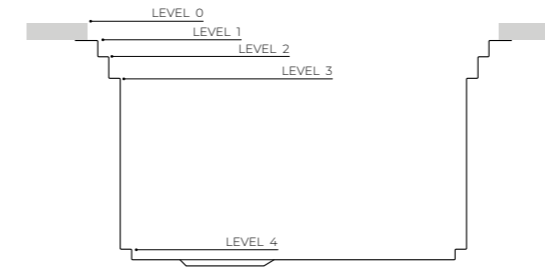
1156 856 - PVD Gun Metal fumé



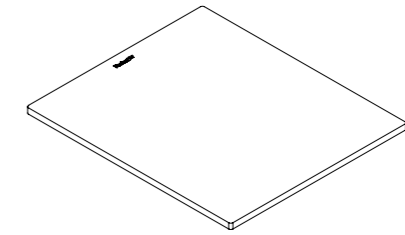
1156 858 - PVD Copper fumé



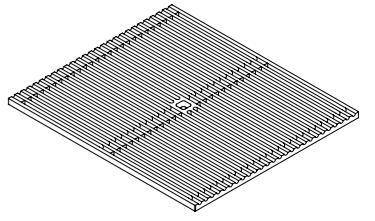
1156 859 - PVD Gold fumé



INCLUDED

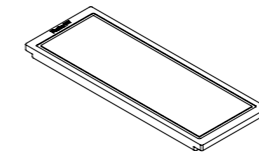


8200 002 - levels 0 - 3
bamboo chopping board
49 x 42 cm

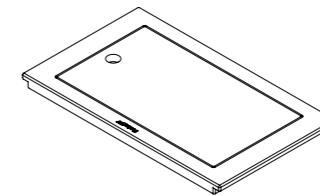


8100 600 - levels 2 - 4
Foster black grid
39,2 x 44,8 cm

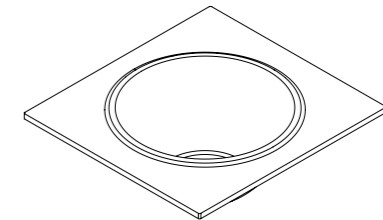
OPTIONALS



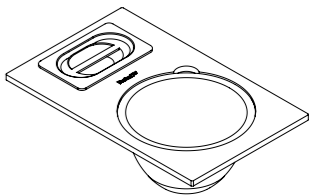
8642 000 - level 2
walnut chopping board
18 x 44,8 cm



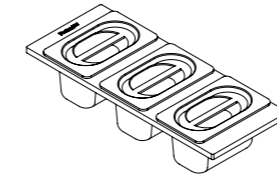
8100 627 - level 1
twin chopping board + frame
28 x 47,4 cm



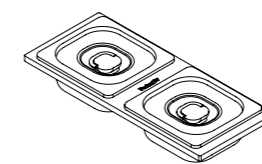
8200 601 - levels 0 - 3
kit bowl ø 30 cm with bamboo frame
44,8 x 42,2 cm



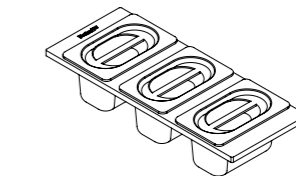
8100 628 - level 2
kit multi-bowl
28 x 44,8 cm



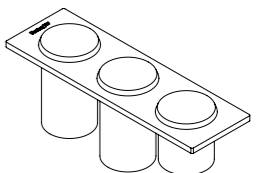
8100 622 - level 2
3 bowls set
18 x 44,8 cm



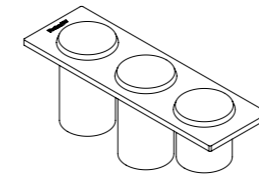
8100 623 - level 3
2 bowls set
18 x 42,2 cm



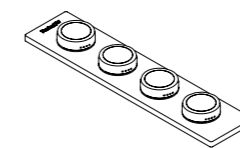
8100 624 - level 3
3 bowls set
18 x 42,2 cm



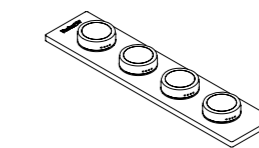
8100 626 - level 1
3 bottles-holder set
14 x 47,4 cm



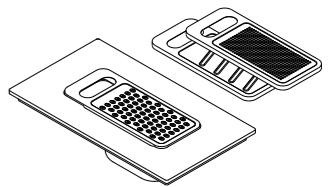
8100 621 - level 2
3 bottles-holder set
14 x 44,8 cm



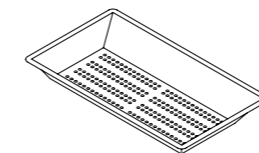
8100 620 - level 2
4 spices-holder set
10 x 44,8 cm



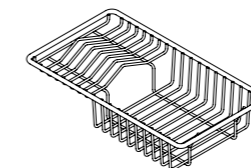
8100 625 - level 1
4 spices-holder set
10 x 47,4 cm



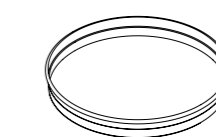
8159 101 - only with 8100 627
grater kit with ring-holder
and food tray



8151 000 - only with 8100 627
stainless steel perforated pan
21,5 x 38 cm



8100 303 - only with 8100 627
stainless steel dishes holder
21,4 x 37,9 cm



1778 000 - with 8200 601
Steel tray
ø 30 cm



8100 030
knife-holder
to be used only coupled with
8100 621 - 8100 626



1050 850
AISI 304 satin

HAPPYHOUR
Dimensions 1448 x 503 mm
Single bowl 1397 x 400 mm
Bowl depth 263 mm
Waste-fitting 3,5" double cap
Installation ST



1049 850
AISI 304 satin

HAPPYHOUR
Dimensions 1236 x 503 mm
Single bowl 1185 x 400 mm
Bowl depth 263 mm
Waste-fitting 3,5" standard cap
Installation ST



1049 856
AISI 304 satin PVD Gun Metal



1049 858
AISI 304 satin PVD Copper

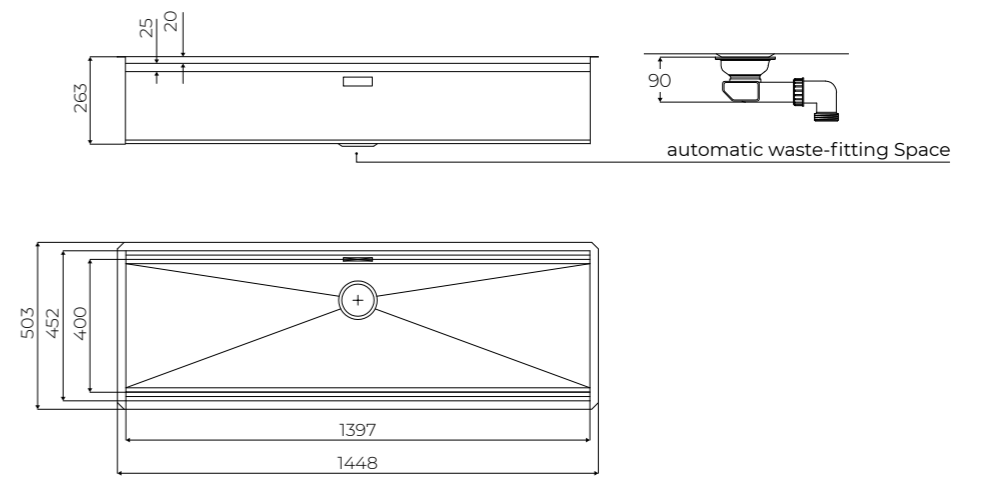


1049 859
AISI 304 satin PVD Gold

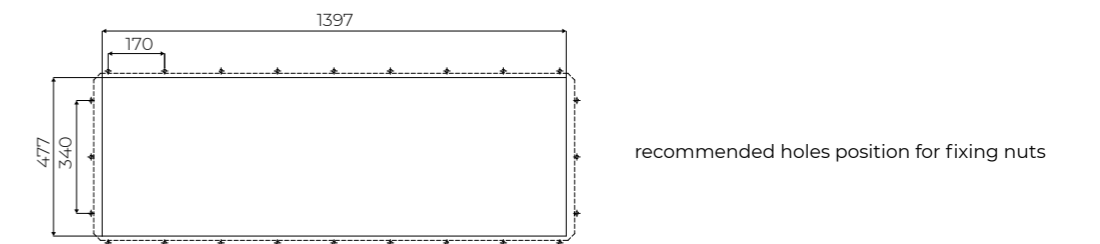


material	stainless steel AISI 304
finish	Foster Brushed
texture	satin
dimensions	1448 x 503 mm
bowl	1397 x 400 mm
waste-fitting	3,5" with double cap Standard Space Auto

TECHNICAL DRAWINGS



ST | cut-out for Undermount



FINISHES



1050 850 - satin

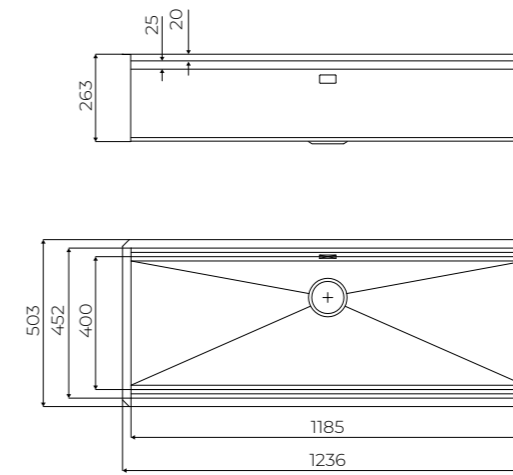


Foster Black 8100 600 3-grids combination

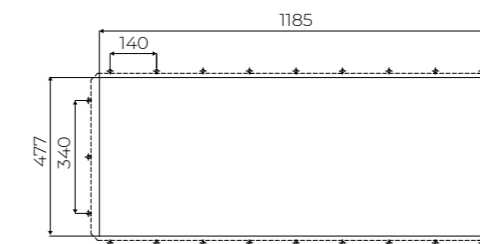


material	stainless steel AISI 304
finish	Foster Brushed
texture	satin
dimensions	1236 x 503 mm
bowl	1185 x 400 mm
waste-fitting	3,5" with Standard cap

TECHNICAL DRAWINGS



ST | cut-out for Undermount

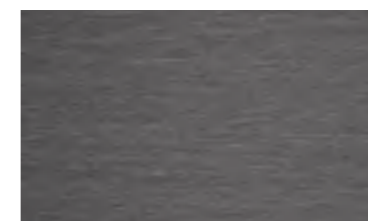


recommended holes position for fixing nuts

FINISHES



1049 850 - satin



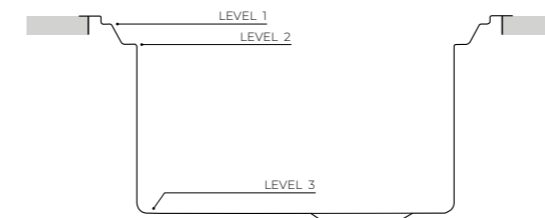
1049 856 - PVD Gun Metal satin



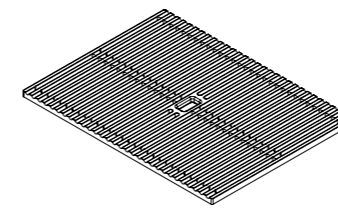
1049 858 - PVD Copper satin



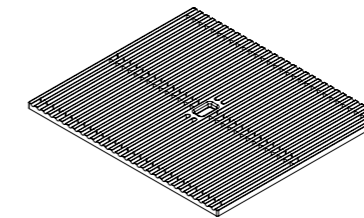
1049 859 - PVD Gold satin



INCLUDED

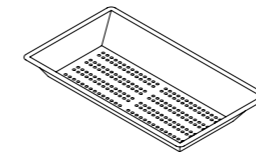


8100 606 - levels 1 - 3
Foster Black grid with pads
34 x 45,4 cm

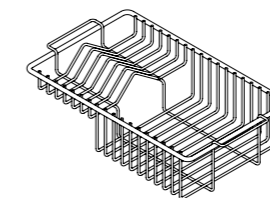


8100 607 - level 1
Foster Black grid
39,7 x 45,4 cm

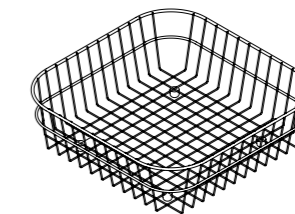
OPTIONALS



8156 000 - level 2
Stainless steel perforated pan
21,5 x 39,6 cm



8100 306 - level 2
Stainless steel dishes holder
21,4 x 39,5 cm



8611 000 - level 3
Stainless steel basket
34 x 40 cm

Sink OUTLINE
 Dimensions 873 x 513 mm
 Lateral tap bench
 Single bowl 665 x 375 mm
 Bowl depth 200 mm
 Waste-fitting 3,5" double cap
 Installation FT | FTS
 CABINET 90



6602 000
 AISI 304 satin



6602 006
 AISI 304 satin PVD Gun Metal



6602 008
 AISI 304 satin PVD Copper



6602 009
 AISI 304 satin PVD Gold

Sink OUTLINE H25
 Dimensions 880 x 518 mm
 Rim edge h 25 mm
 Lateral tap bench
 Single bowl 665 x 375 mm
 Bowl depth 200 mm
 Waste-fitting 3,5" double cap
 CABINET 90



6625 000
 AISI 304 satin



6625 006
 AISI 304 satin PVD Gun Metal

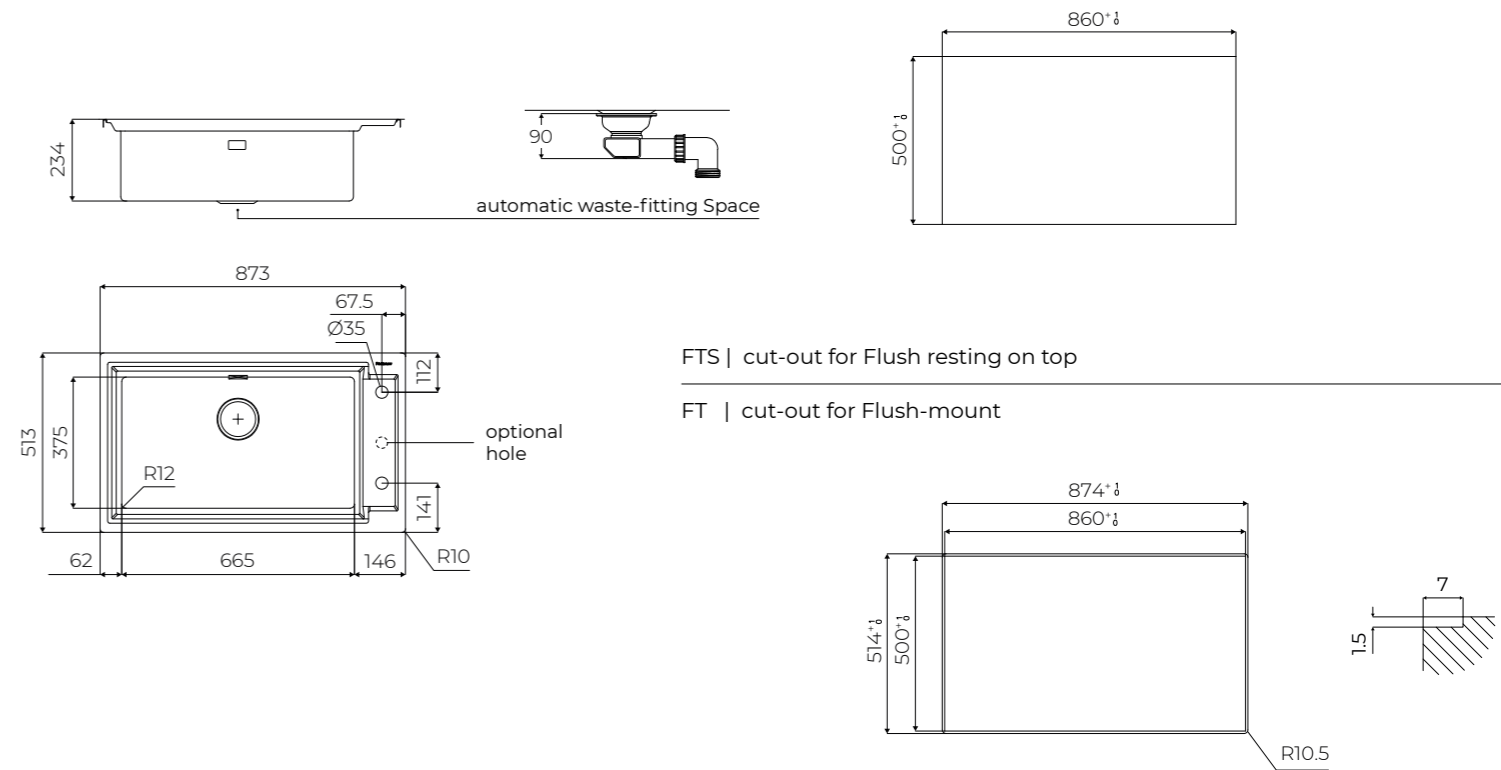


Combination of the two supplied grids Foster Black 8100 607 + 8100 606



material	stainless steel AISI 304
finish	Foster Brushed
texture	satin
edge	1 mm
dimensions	873 x 513 mm
bowl	665 x 375 mm
cabinet	90 cm
waste-fitting	3,5" with double cap Standard Space Auto

TECHNICAL DRAWINGS



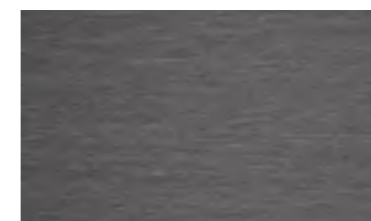
FTS | cut-out for Flush resting on top

FT | cut-out for Flush-mount

FINISHES



6602 000 - satin



6602 006 - PVD Gun Metal satin



6602 008 - PVD Copper satin

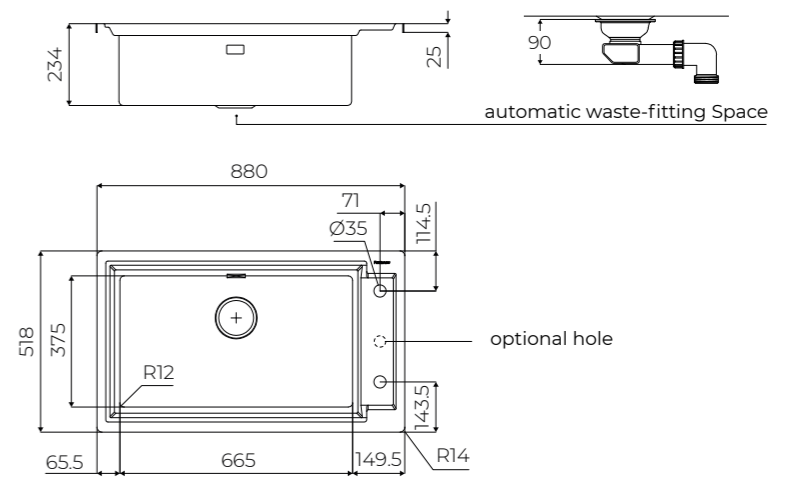


6602 009 - PVD Gold satin

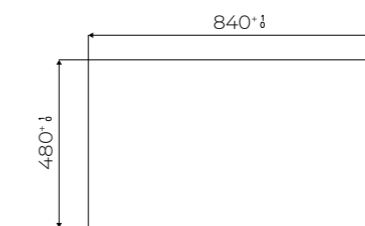


material	stainless steel AISI 304
finish	Foster Brushed
texture	satin
edge	Rim h 25 mm
dimensions	880 x 518 mm
bowl	665 x 375 mm
cabinet	90 cm
waste-fitting	3,5" with double cap Standard Space Auto

TECHNICAL DRAWINGS



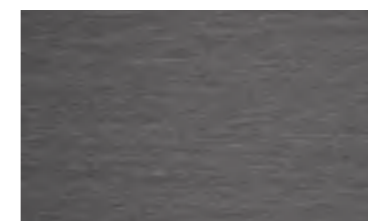
Top - Mount



FINISHES

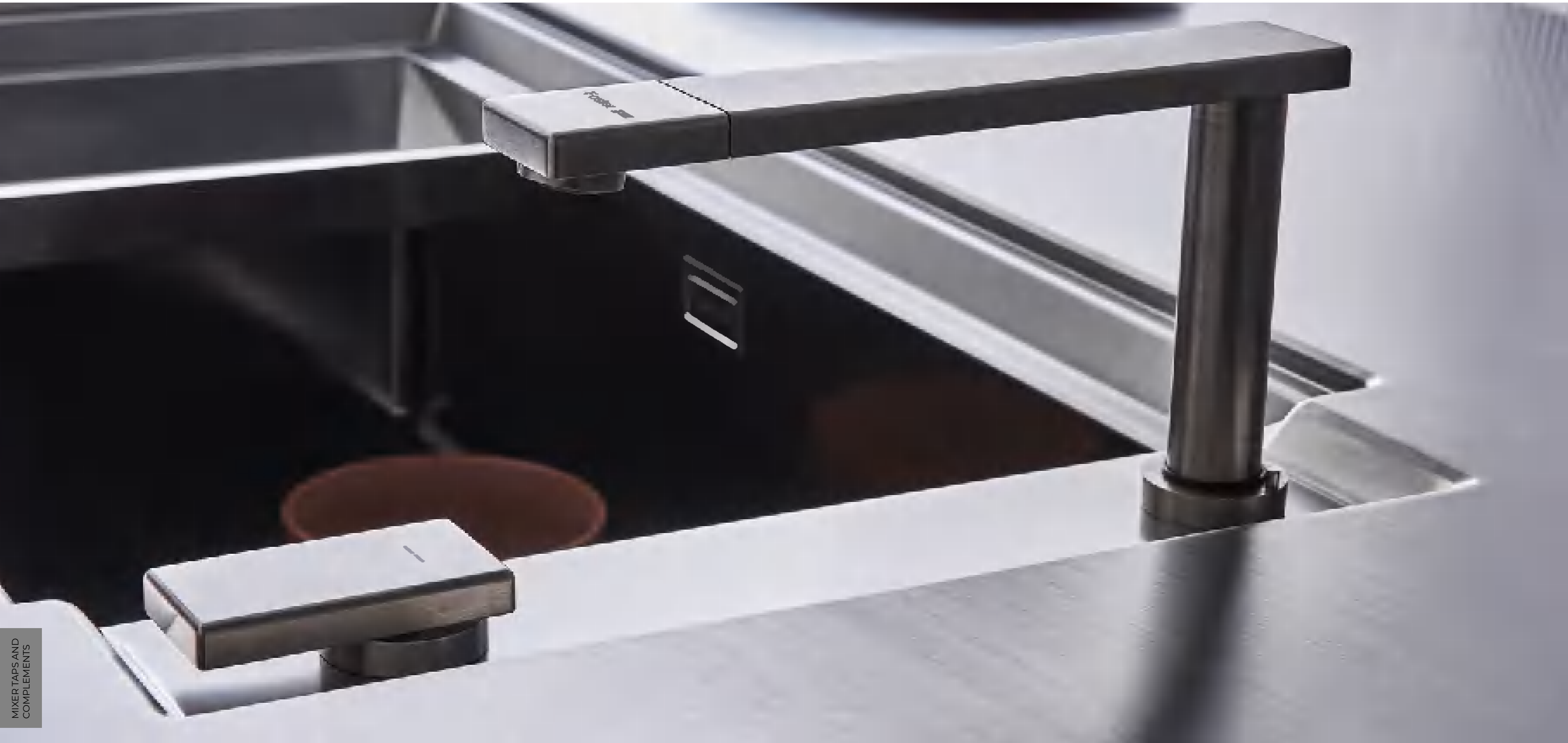


6625 000 - satin



6625 006 - PVD Gun Metal satin

MIXER TAPS AND COMPLEMENTS



MIXER TAPS AND
COMPLEMENTS



8497 120
VELA PLUS

Single lever mixer tap with rotating barrel
and extractable shower head

Satin finish

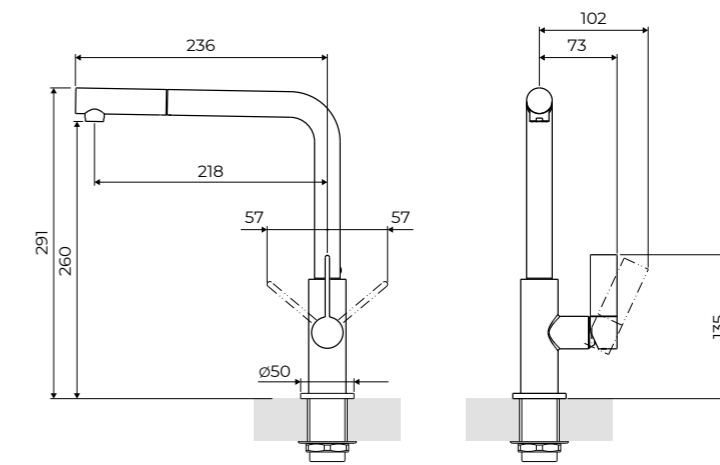
Rotating barrel 360°

Ceramic disc cartridge

Built-in base \varnothing 50 mm

Built-in hole \varnothing 35 mm

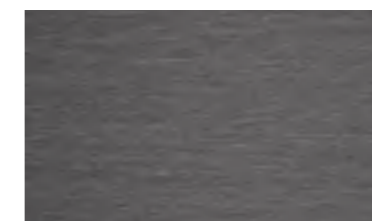
Max worktop thickness 40 mm



FINISHES



8497 120 - Inox satin



8498 126 - PVD Gun Metal satin



8498 128 - PVD Copper satin



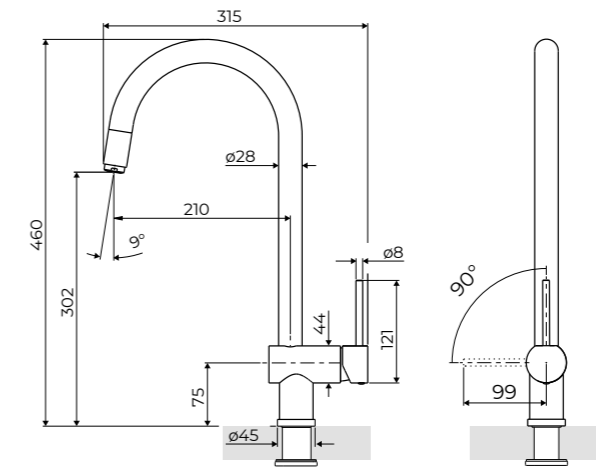
8498 129 - PVD Gold satin



8491 100
VOLTA

Single lever mixer tap with rotating barrel and extractable shower head

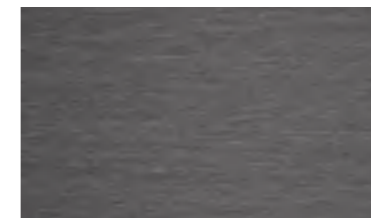
- Satin finish
- Rotating barrel 140°
- Ceramic disc cartridge
- Built-in base \varnothing 45 mm
- Built-in hole \varnothing 35 mm
- Max worktop thickness 55 mm



FINISHES



8491 100 - satin



8491 106 - PVD Gun Metal satin



8491 108 - PVD Copper satin



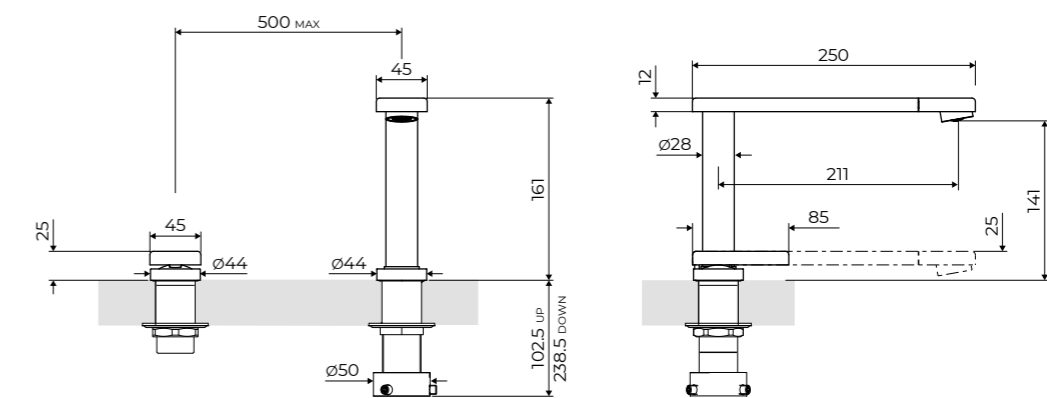
8491 109 - PVD Gold satin



8499 100 OP

Single lever mixer tap with remote control,
rotating, collapsible barrel and swivel head

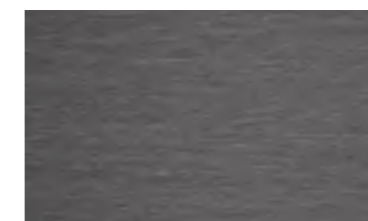
Satin finish
Rotating barrel 360°
Ceramic disc cartridge
Built-in base \varnothing 44 mm
Built-in hole \varnothing 35 mm
Mixer-command distance
LH mixer: min 260 mm - max 500 mm
RH mixer: min 300 mm - max 500 mm
Max worktop thickness 40 mm



FINISHES



8499 100 - satin

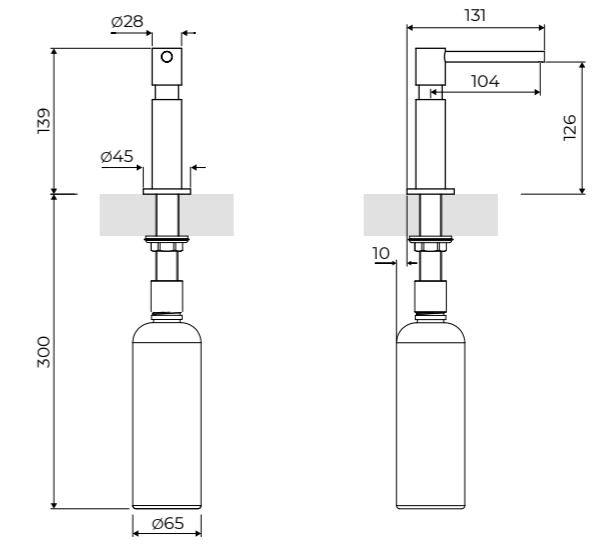


8499 106 - PVD Gun Metal satin



8520 100
 Dispenser EVO
 Built-in liquid soap/detergent
 dispenser

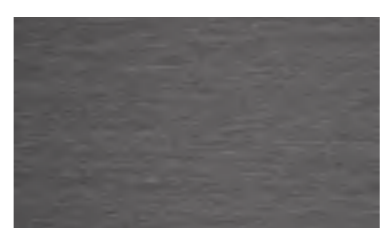
Satin finish
 Rotating barrel 360°
 Built-in base \varnothing 45 mm
 Built-in hole \varnothing 35 mm
 Max worktop thickness 40 mm



FINISHES



8520 100 - satin



8520 156 - PVD Gun Metal satin



8520 158 - PVD Copper satin

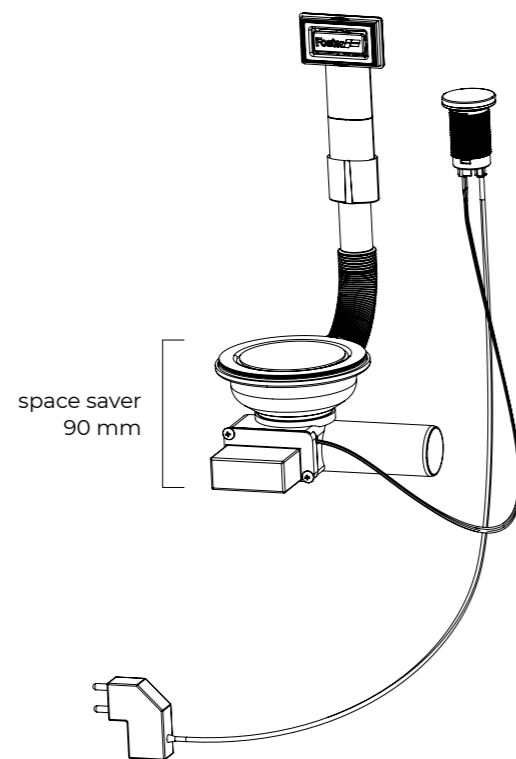


8520 159 - PVD Gold satin



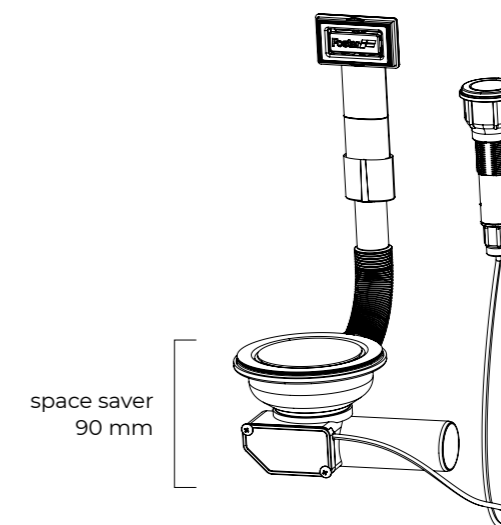
8407 117
Space Light
*Automatic waste-fitting with electric remote control and warning light

Stainless steel
Require hole ø 35mm
Round button control with blue led
Double cap Standard | Space
Perimeter overflow



8407 116
Space Push
*Automatic waste-fitting with push-button control

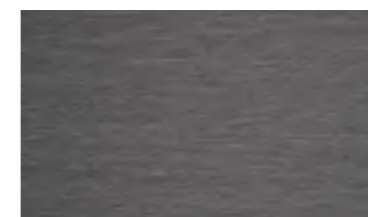
Stainless steel
Required hole ø 35mm
Round Push-button
Double cap Standard | Space
Perimeter overflow



FINISHES



8407 116 - satin



8407 120 - PVD Gun Metal satin



8407 122 - PVD Copper satin



8407 121 - PVD Gold satin

*compatible with Smokey | HappyHour | Outline

COOKTOPS



CASTONE corner
 Dimensions 830 x 830 x h 4 mm
 Full edge h 4 mm
 1 separate control zone
 1 cooking zone 270 mm
 1 cooking zone 300 mm
 1 cooking zone 350 mm
 Total power 6.700 W
 Installation FT | FTS
 CABINET 90 corner



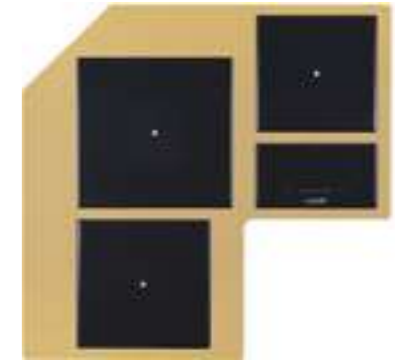
7438 000
 AISI 304 satin



7438 006
 AISI 304 satin PVD Gun Metal



7438 008
 AISI 304 satin PVD Copper



7438 009
 AISI 304 satin PVD Gold

CASTONE linear
 Dimensions 1080 x 490 x h 4 mm
 Full edge h 4 mm
 1 separate control zone
 1 cooking zone 270 mm
 2 cooking zones 350 mm
 Total power 6.700 W
 Installation FT | FTS
 CABINET 120



7439 000
 AISI 304 satin



7439 016
 AISI 304 satin PVD Gun Metal



7439 018
 AISI 304 satin PVD Copper



7439 019
 AISI 304 satin PVD Gold

ARYA
 Dimensions 820 x 520 x h 4 mm
 Bevelled edge
 Integrated suction hood
 Aluminium standard grid black
 4 cooking zones 210 x 190 mm
 2 bridge zones
 Total power 7.400 W
 Installation FT | FTS
 CABINET 80



7392 245
 Ceramic glass top and integrated hood

INFINITO
 Dimensions 920 x 520 x h 4 mm
 Bevelled edge
 Free cooking zones
 Total power 11.000 W
 Installation FT | FTS
 CABINET 120



7300 000
 Glass ceramic hob TFT control





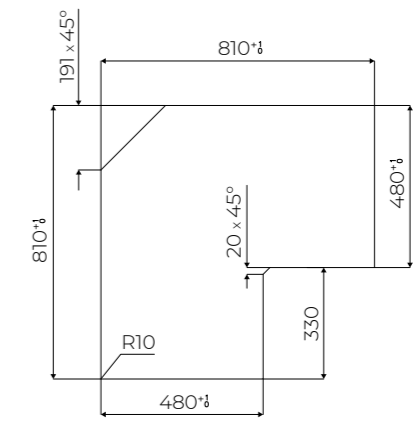
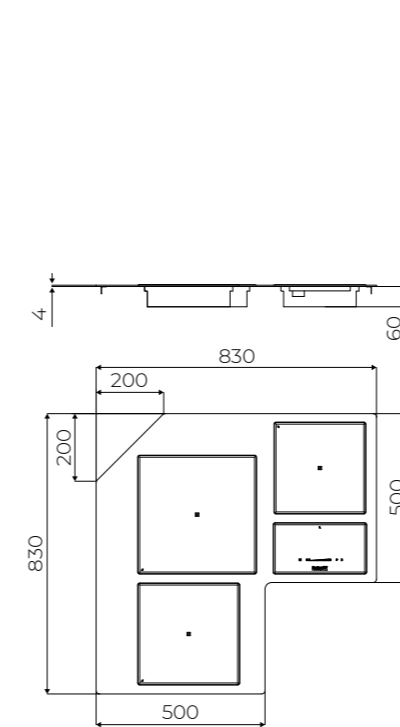
-  Powerboost
-  Recall
-  Pot detector
-  Timer
-  Security
-  Slider Control
-  Go&Stop
-  Heat maintenance
-  Smart fan system
-  End-of-cooking programme
-  Pause



material	stainless steel AISI 304 and black glass-ceramic
finish	Foster Brushed
texture	satin
edge	Full h 4 mm
dimensions	corner 830 x 830 x h 60 mm
cabinet	90 cm corner cabinet
total power	6.700 W
control zone	Touch and Slider Control
cooking zones	1 zone 270 mm - 1.100 (1.400)* W 1 zone 300 mm - 2.300 (3.000)* W 1 zone 350 mm - 2.300 (3.000)* W

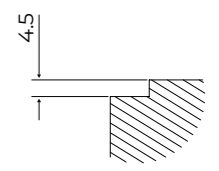
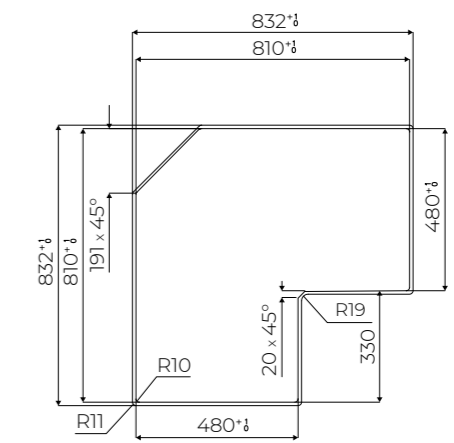
*powerboost

TECHNICAL DRAWINGS



FTS | cut-out for Flush resting on top

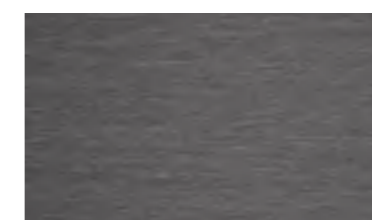
FT | cut-out for Flush-mount



FINISHES



7438 000 - satin



7438 006 - PVD Gun Metal satin



7438 008 - PVD Copper satin



7438 009 - PVD Gold satin

INCLUDED

Connection box
Dimensions 211 x 270 x 48 mm
Recommended installation:
wall-mounted behind the cabinet unit or inside it, under the cooktop



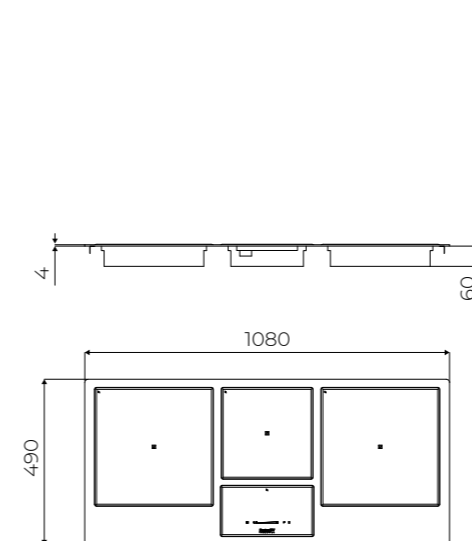
-  Powerboost
-  Recall
-  Pot detector
-  Timer
-  Security
-  Slider Control
-  Go&Stop
-  Heat maintenance
-  Smart fan system
-  End-of-cooking programme
-  Pause

INCLUDED

Connection box
 Dimensions 211 x 270 x 48 mm
 Recommended installation:
 wall-mounted behind the base unit or inside it, under the cooktop

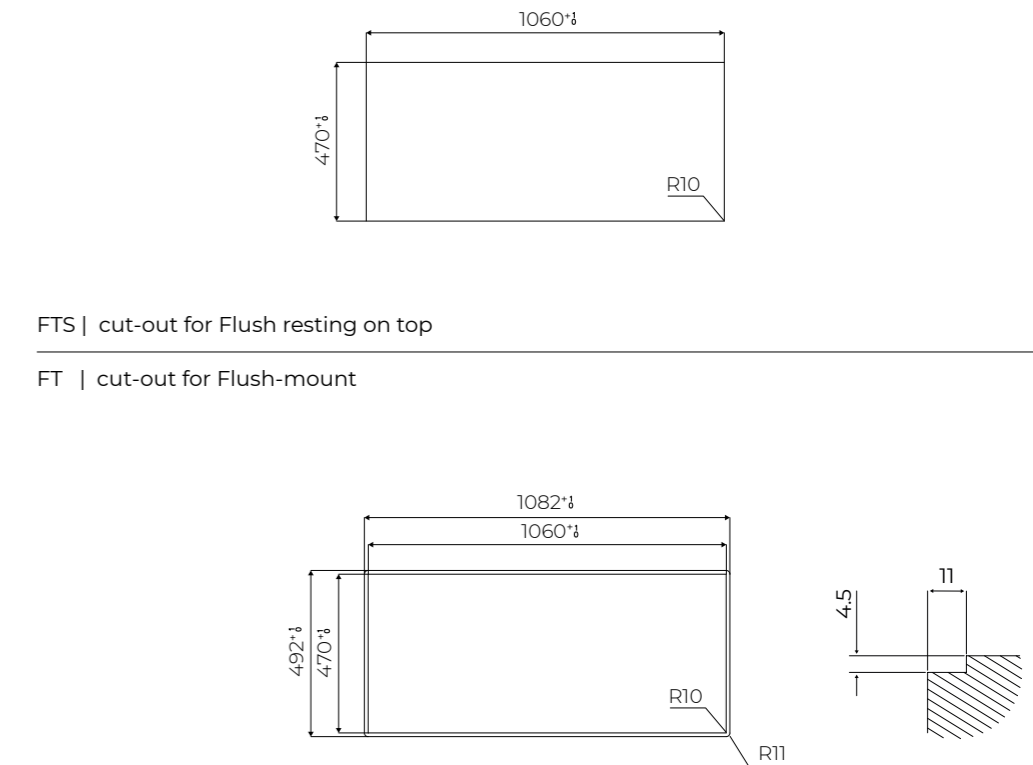


TECHNICAL DRAWINGS



material	stainless steel AISI 304 and black glass-ceramic
finish	Foster Brushed
texture	satin
edge	Full h 4 mm
dimensions	linear 1080 x 490 x h 60 mm
cabinet	120 cm
total power	6.700 W
control zone	Touch and Slider Control
cooking zones	1 zons 270 mm - 1.100 (1.400)* W 2 zones 350 mm - 2.300 (3.000)* W
power supply	230 - 380 V (50/60 Hz)

* powerboost



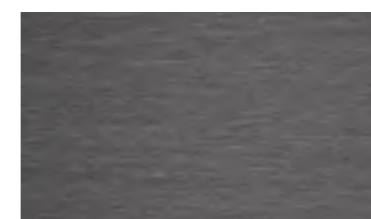
FTS | cut-out for Flush resting on top

FT | cut-out for Flush-mount

FINISHES



7439 000 - satin



7439 016 - PVD Gun Metal satin

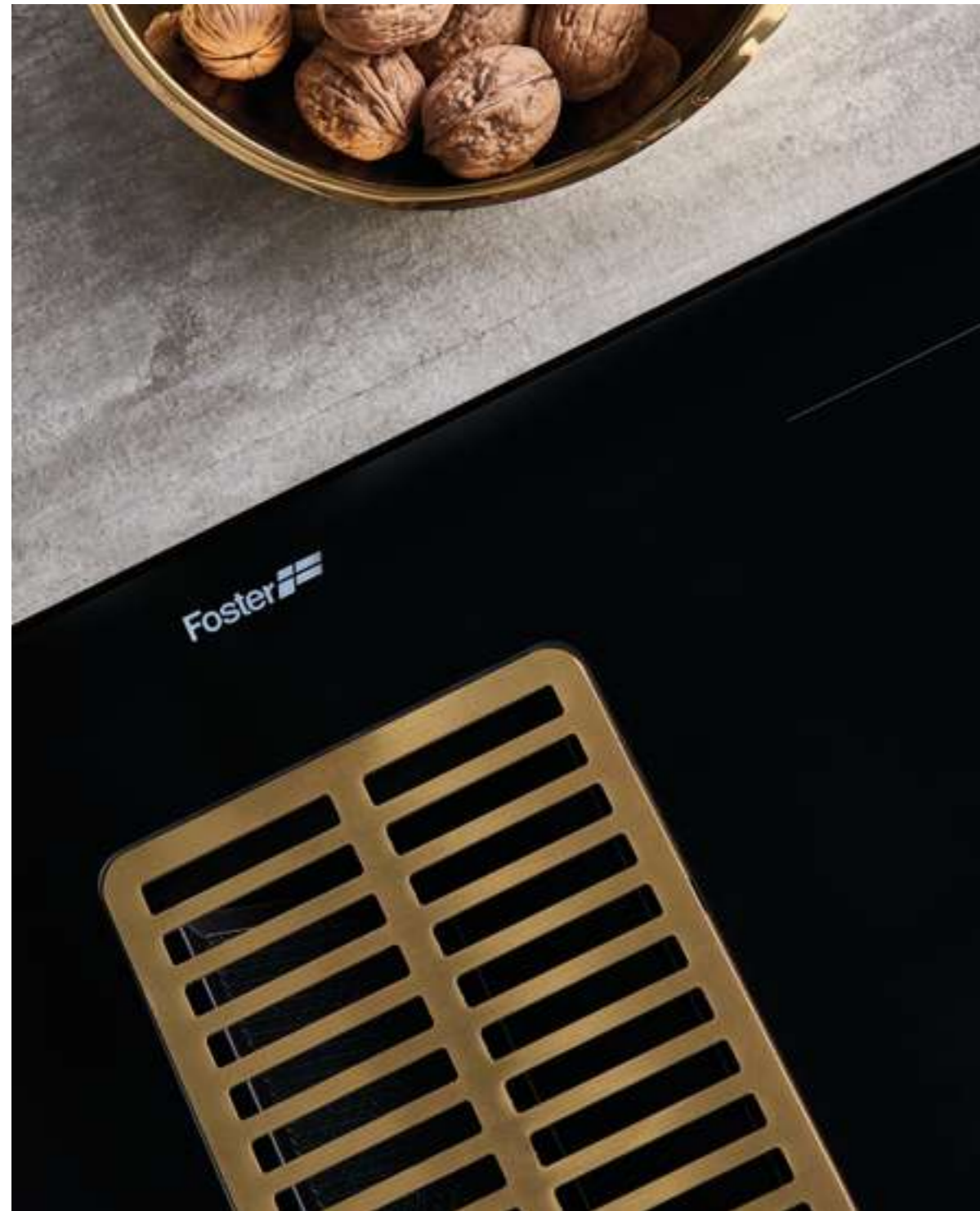










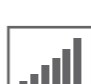


7439 018 - PVD Copper satin



7439 019 - PVD Gold satin





-  Powerboost
-  Power control
-  Bridge
-  Timer
-  Security
-  Pot detector
-  Smart fan system
-  End-of-cooking programme
-  Slider Control
-  Heat maintenance
-  Pause

SUCTION FEATURES

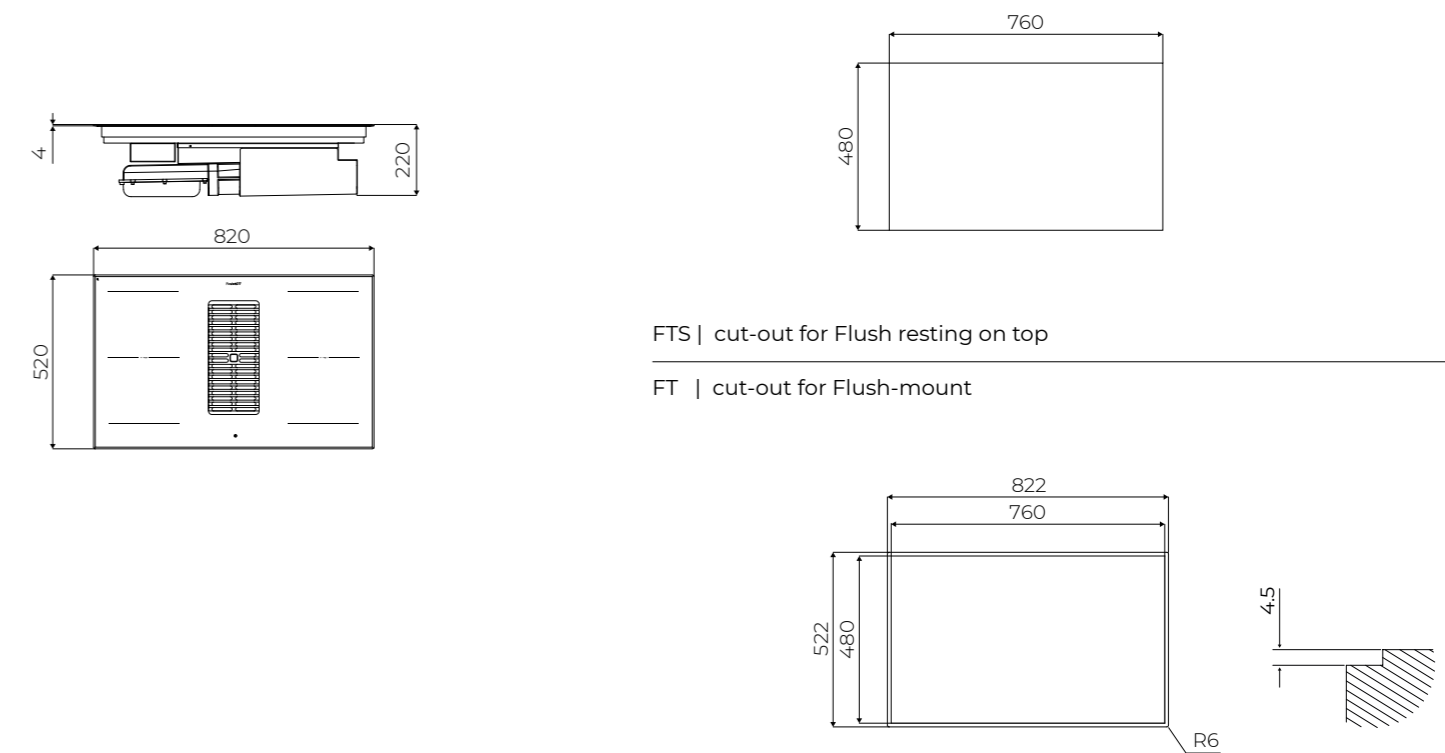
- Motor on board
- Electronic programming
- 10 suction speeds (9 + 1 intensive)
- Automatic delayed shut-down
- Black aluminium grid included
- 2 washable grease filters included
- Notice of grease and carbon filters' saturation



material	black glass ceramic
edge	Bevelled
suction hood	2 washable grease filters - aluminum black grid
dimensions	820 x 520 x h 220 mm
cabinet	80 cm
energy class	A+
Airflow rate	680 m ³ /h
total power	**7,400 W
control zone	Touch Control
coking zones	4 zones 210 x 190 mm - 2.100 (3.000)* W 2 extended cooking zones Bridge
power supply	230 - 380 V (50/60 Hz)

* powerboost
** limitation available
from 1.400 to 7.400 W in steps of 100 W

TECHNICAL DRAWINGS



FTS | cut-out for Flush resting on top

FT | cut-out for Flush-mount

OPTIONAL STAINLESS STEEL GRIDS



8803 000 - satin



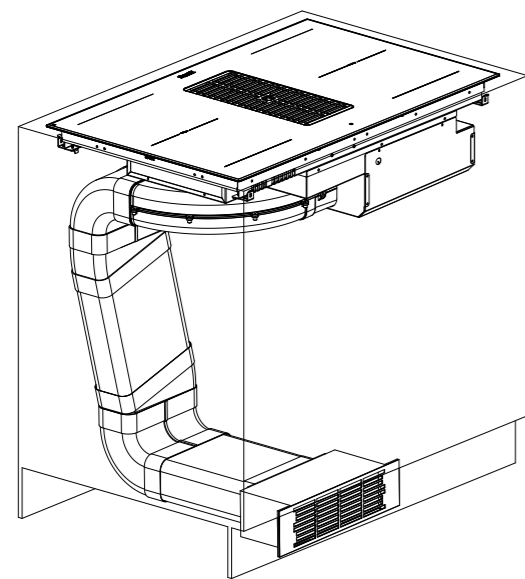
8803 116 - PVD Gun Metal satin



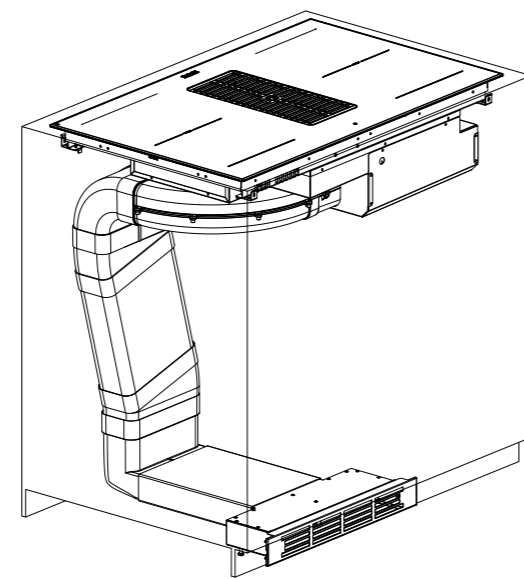
8803 118 - PVD Copper satin



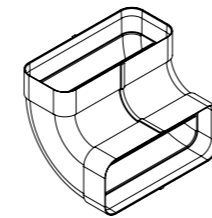
8803 119 - PVD Gold satin



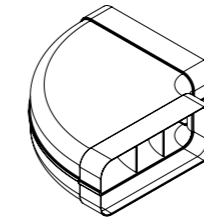
9700 580
Filter kit for plinth H10/15 cm
with stainless steel mask



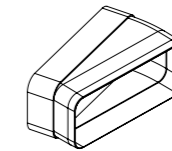
9700 577
Filter kit for plinth H6/8 cm
with stainless steel mask



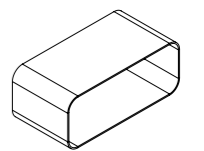
9700 535
vertical 90° corner connector
rectangular section 227 x 94 mm
dimensions 174 x 174 x 227 mm



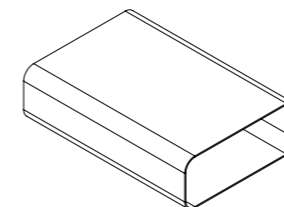
9700 534
horizontal 90° corner connector
rectangular section 227 x 94 mm
dimensions 288 x 288 x 94 mm



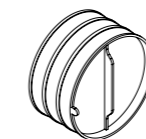
9700 536
horizontal 15° corner connector
rectangular section 227 x 94 mm
dimensions 233 x 138 x 94 mm



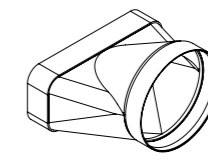
9700 533
connector rectangular section
227 x 94 mm
dimensions 227 x 94 x 80 mm



9700 532
tube rectangular section
222 x 89 mm
dimensions 222 x 89 x 1000 mm



9700 538
no-return valve
round section \varnothing 148 mm



9700 537
adapter multi section
rectangular 227 x 94 mm / round \varnothing 148 mm
dimensions 190 x 150 x 227 mm





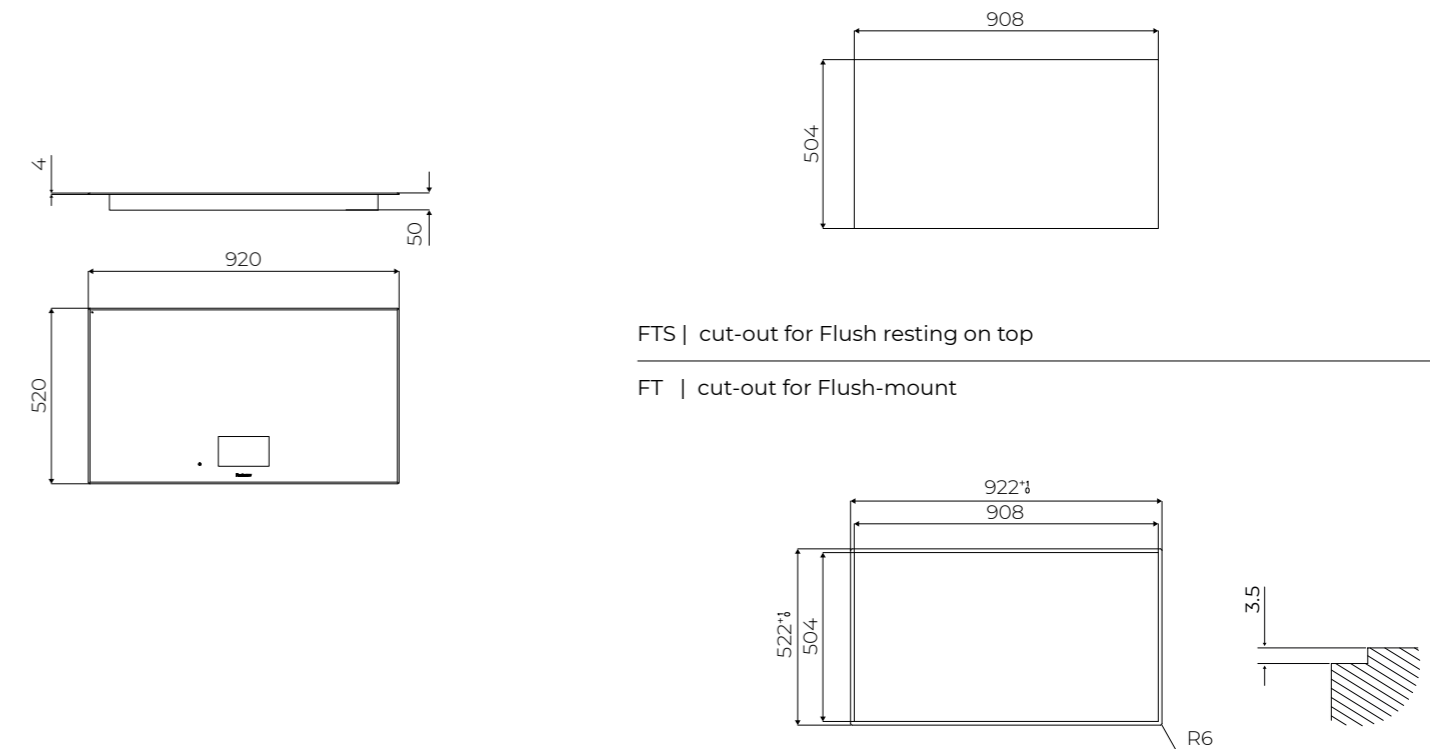
-  Powerboost
-  Power control
-  Pot detector
-  Timer
-  Security
-  Slider Control
-  Pot localizer
-  T-chef
-  End-of-cooking programme
-  Pause



material	black glass ceramic
edge	Bevelled
dimensions	920 x 520 x h 50 mm
cabinet	120 cm
total power	*11.000 W
control zone	TFT 7" Touch Control
cooking zones	free cooking zones - up to 6 pans
power supply	230 - 380 V (50/60 Hz)

* limitation available from 2.400 to 11.000 W in steps of 100 W

TECHNICAL DRAWINGS



DISPLAY TFT

The TFT touchscreen display has been developed to make using the cooktop even easier and more intuitive. In addition to the traditional cooking functions, there are a number of dedicated functions to give you more control over your preparations, including the possibility of melting ingredients at 44°C, temperature maintenance at 70°C and the pre-boiling function at 92°C. These can be easily found via the menu. The Infinito hob allows you to freely move up to 6 pans while maintaining the initial settings, without having to stick to fixed cooking areas.



OUTLINE

Dimensions 873 x 513 x h 1 mm
 2 Flat burners auxiliary 1.000 W
 2 Flat burners semi-rapid 1.750 W
 1 Flat burner Dual 4.000 W with
 PrecisePower system: maximum precision
 in regulating the flame,
 thanks to the 10 pre-set levels.
 Total power 9.500 W
 Installation FT | FTS
 CABINET 90



7440 000
 AISI 304 satin



7440 006
 AISI 304 satin PVD Gun Metal



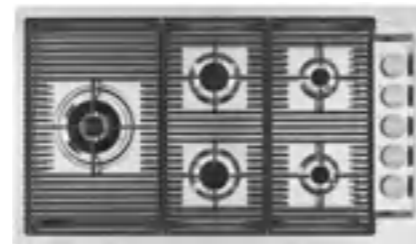
7440 008
 AISI 304 satin PVD Copper



7440 009
 AISI 304 satin PVD Gold

OUTLINE H25

Dimensions 880 x 518 x h 25 mm
 Edge Rim h 25 mm
 2 Flat burners auxiliary 1.000 W
 2 Flat burners semi-rapid 1.750 W
 1 Flat burner Dual 4.000 W with
 PrecisePower system: maximum precision
 in regulating the flame,
 thanks to the 10 pre-set levels.
 Total power 9.500 W
 CABINET 90



7441 000
 AISI 304 satin

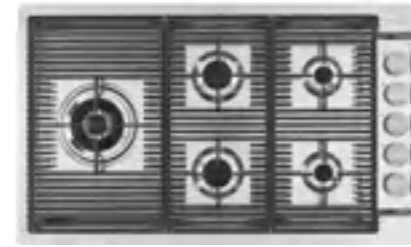


7441 006
 AISI 304 satin PVD Gun Metal



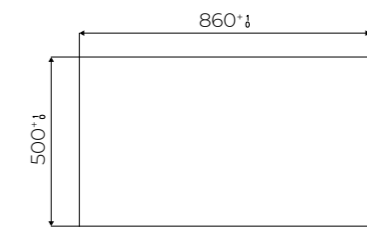
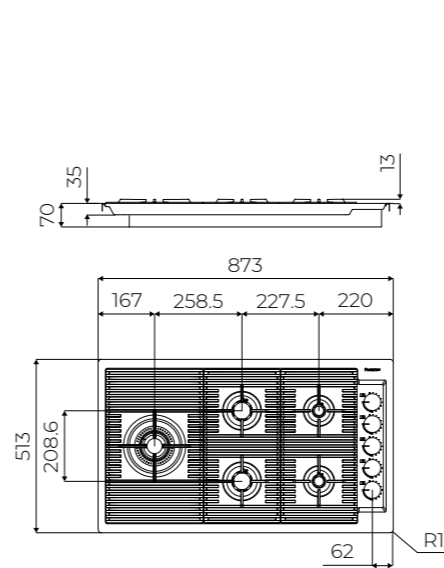
OPTIONAL ACCESSORIES
9601 727 - wok support

Maximum precision in flame control, thanks to the 10 pre-set levels of the PrecisePower system. All this with the attractive, ultra-flat look of the Flat burners.



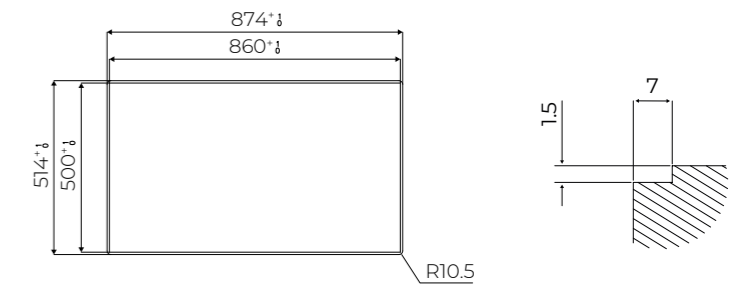
material	stainless steel AISI 304
finish	Foster Brushed
texture	satin
dimensions	873 x 513 x h 70 mm
cabinet	90 cm
total power	9.500 W
cooking zones	1 Flat burner Dual 4.000 W 2 Flat burners semi-rapid 1.750 W 2 Flat burners auxiliary 1.000 W

TECHNICAL DRAWINGS



FTS | cut-out for Flush resting on top

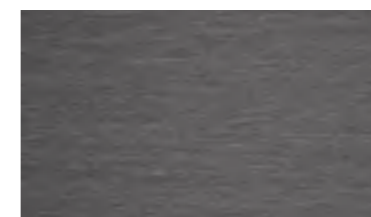
FT | cut-out for Flush-mount



FINISHES



7440 000 - satin



7440 006 - PVD Gun Metal satin



7440 008 - PVD Copper satin

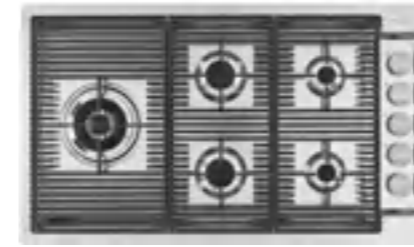


7440 009 - PVD Gold satin



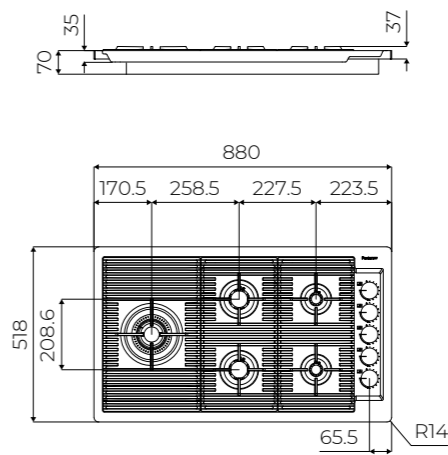
OPTIONAL ACCESSORIES
9601 727 - wok support

Maximum precision in flame control, thanks to the 10 pre-set levels of the PrecisePower system. All this with the attractive, ultra-flat look of the Flat burners.

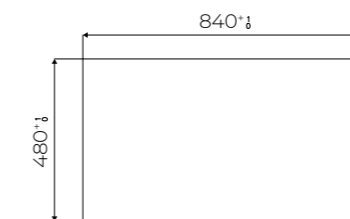


material	stainless steel AISI 304
finish	Foster Brushed
texture	satin
edge	Rim h 25 mm
dimensions	880 x 518 x h 70 mm
cabinet	90 cm
total power	9.500 W
cooking zones	1 Flat burner Dual 4.000 W 2 Flat burners semi-rapid 1.750 W 2 Flat burners auxiliary 1.000 W

TECHNICAL DRAWINGS



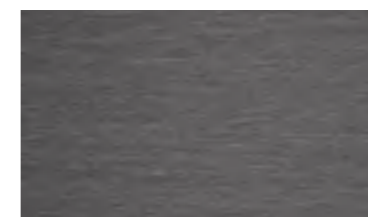
Top - mount



FINISHES



7441 000 - satin



7441 006 - PVD Gun Metal satin



FOSTER MANAGEMENT SYSTEM IS ISO 9001:2015 CERTIFIED
REGISTRATION NUMBER CH-36474

This publication is for international use. The features are purely guideline. We reserve the right to modify them at any moment without notice. The Foster Organization will be pleased to provide further details and updates about the products and services.

© Foster spa. Not to be reproduced wholly or in part without written permission of Foster spa.

FOSTER SPA
Via M.S. Ottone, 18-20
42041 - Brescello - RE
ITALY

t +39 0522 687425
info@fosterspa.com

www.fosterspa.com

